

87% Efficient!

Burnham®

MPO-IQ™



Oil Fired, Chimney Vented, Cast Iron Water Boiler

- 87% AFUE, ENERGY STAR® certified
- 3-pass cast iron sectional design
- Easy, intelligent IQ Control System™
- Outdoor reset available – increases efficiency by 15-20%
- Honeywell digital oil primary control on both Beckett and Carlin EZ-Pro.
- Five sizes available, 0.60-1.65 GPH
- Direct vent option kit available in three sizes (1.05-1.65 GPH)
- Built-in protection for low return water temperatures
- Easy installation and servicing; Reversible swing away burner door, no target wall/blanket, removable rear plates provide direct access to flue passages
- Lifetime limited warranty

US
UNMATCHED
ANYWHERE



Honeywell digital oil primary is available on Beckett and Carlin EZ-Pro burners

US
UNMATCHED
ANYWHERE

IQ control system

- Consists of the Intelligent Oil Boiler Control and IQ Option Panel

US
UNMATCHED
ANYWHERE

Intelligent Oil Boiler Control

- Provides fast and easy “out of the box” installation
- Simple codes convey boiler status and eliminate guesswork
- Two customizable integrated switching relays for easy integration of additional heating zone or indirect water heater

US
UNMATCHED
ANYWHERE

IQ Option Panel

- Enables the easy plug & play installation of optional features such as outdoor reset, LWCO, and high limit



US
UNMATCHED
ANYWHERE

Optional Touchscreen

- LCD displays all boiler settings, diagnostics, and troubleshooting in sentences, not codes



Burnham®

by

U.S. Boiler Company



MPO-IQ: Technical Information



Standard Equipment

- Precision cast and machined sections
- BC25HSi silicon-inoculated iron
- Return mixing manifold
- Stylish, countoured, powder coated steel jacket
- Molded plastic control cover
- Insulated jacket (3")
- Reversible cast iron swing-away burner door
- Vacuum-formed burner door insulation
- Insulated, removable clean-out ports
- Integrated lifting legs
- Mounted and wired controls


- 30# relief valve
- Barometric draft regulator
- Boiler drain valve
- Circulator

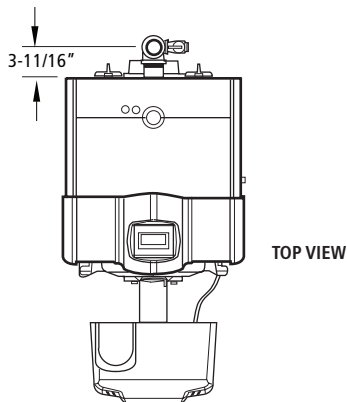
IQ Oil Boiler Control

- 3-digit LED readout displays boiler status, settings, and error codes for easy set-up and troubleshooting
- Adjustable high limit and differential
- 120V input for indirect water heater or 2nd heating zone
- 120V output for indirect or second zone circulator

- Selectable, adjustable circulator pre-purge & post-purge
- Displays diagnostic and status info from primary control*
- Concealed Junction Box in Rear of Boiler
- Accepts plug & play IQ Option Cards for simple installation of Outdoor Reset, Low Water Cutoff, & Aux. High Limit
- 3-digit display for option card settings, status and diagnostics.

*when equipped with Carlin or Beckett burner

MPO-IQ Ratings & Specifications								
Model	 AFUE%	Burner Cap. (GPH)	DOE Heating Cap. (MBH)	Net AHRI (MBH)	Flue Collar (In.)	Min. Chimney Diameter (In.)	Water Content (Gal.)	Approx. Shipping Weight. (lbs.)
MPO-IQ84	87	0.60	74	64	5	6	7.70	475
MPO-IQ115	87	0.80	101	88	5	6	7.70	475
MPO-IQ147	87	1.05	129	112	6	6	11.08	525
MPO-IQ189	87	1.35	167	145	6	7	14.46	660
MPO-IQ231	87	1.65	203	177	7	7	17.84	776



Dimensions (Inches)			
Model	'A'	'B'	'C'
MPO-IQ84	16-5/8	24	5
MPO-IQ115	16-5/8	24	5
MPO-IQ147	22-5/8	24	6
MPO-IQ189	28-5/8	30	6
MPO-IQ231	34-5/8	30	7

Direct Vent Kit Dimensions (Inches)		
Model	Vent Connector Diameter	Optional Starter "T" Depth 'D'
MPO-IQ147	5	14
MPO-IQ189	5	14
MPO-IQ231	6	14.5

