

# 4SHP14LE

## PRODUCT SPECIFICATIONS

## 14 SEER SPLIT SYSTEM HEAT PUMP

FORM NO. 4SHP14LE-100 (09/2014)



### COMPRESSOR

- High-efficiency scroll compressor
- R410a refrigerant
- Grommet-mounted compressor for quiet operation
- Protected against high temperature motor overload conditions
- Heavy-duty compressor sound blanket for quiet operation

### CABINET

- Full metal louvered panel coil guard protection that is easily removed for coil cleaning
- Controls located in corner for easy installation and service
- Rounded corners for safety and attractive, clean appearance
- Baked polyester paint finish over galvanized steel for maximum durability
- PVC-coated wire fan discharge grille
- External gauge ports for easy service
- Raised base pan with ports allows for excellent water and debris drainage

### COMPONENTS

- Filter drier shipped loose for installation flexibility
- Discharge muffler for quiet operation
- High Pressure switch
- Reliable, solid state, time-initiated, temperature terminated defrost system
- Service valves positioned for quick installation and easy service
- Low pressure switch for loss of charge system protection
- Trade-available components
- Defrost control features built-in diagnostics for easier service
- Defrost control has short cycle protection to protect compressor

- Defrost control is Quiet Shift™ capable
- Defrost cycle is field selectable 30/60/90 minutes
- Sealed contactor with lugs

### DESIGN

- Designed for ambients up to 125°F

### COIL

- Enhanced aluminum fins and copper tubing for high efficiency and capacity
- Raised coil prevents debris from collecting in bottom of coil and causing loss of airflow

### ACCESSORIES

- Low ambient control kit
- Crank case heater
- TXV kit
- Hard start kit
- fossil fuel kit

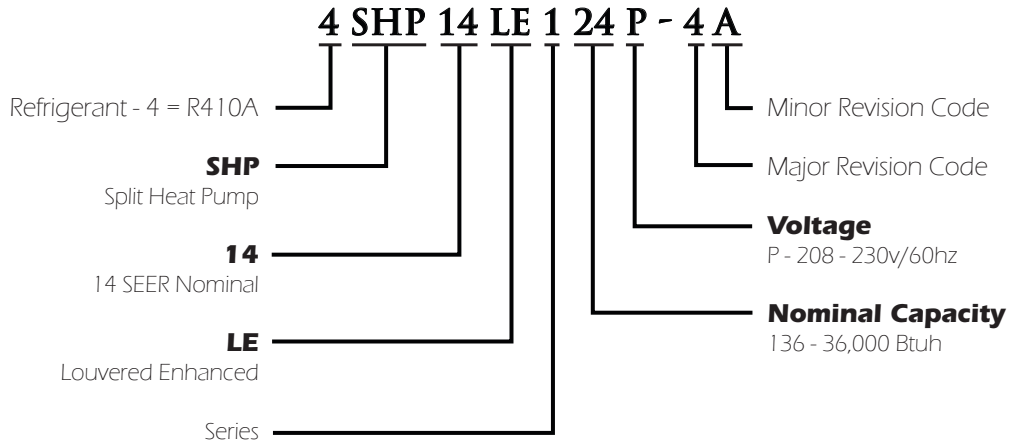
### WARRANTY

- 10 year limited warranty on compressor
- 5 year limited warranty on all parts
- Extended warranty available

*\*Warranty provides for a total of 10 years of limited warranty coverage (Standard 5-year limited parts warranty plus an additional 5-year limited extended parts warranty). Warranty must be registered online within 60 days of installation to qualify for 10-year coverage. Unregistered equipment defaults to 5-year coverage. Lifetime limited heat exchanger warranty applies to registered equipment only (Standard 20 years with no online registration). See full warranty at [www.alliedair.com](http://www.alliedair.com) for terms, conditions and exclusions.*



### Model Number Guide



### Physical and Electrical

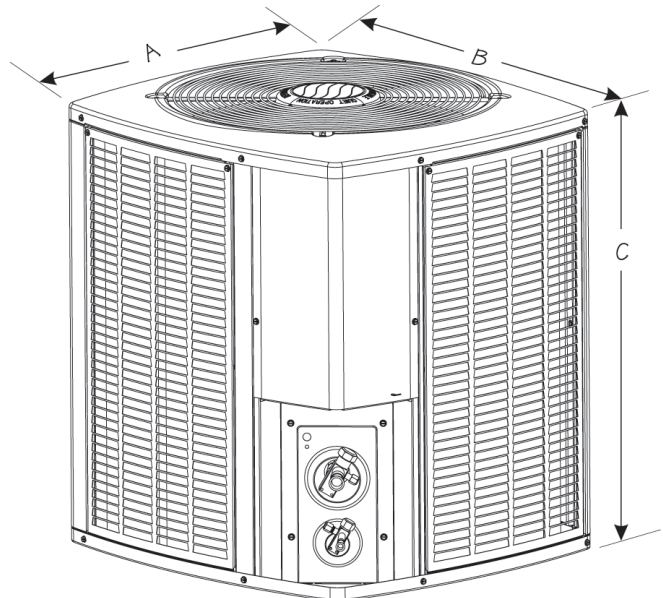
Model	Voltage/ Phase/ Hz	Voltage Range	Min. Circuit Amp.	Max. Over current Device (amps)	Compressor		Fan Motor			Refrig. Charge+ (oz.)	Shipping Weight (lbs.)	
					Rated Load (amps)	Locked Rotor (amps)	Rated Load (amps)	Rated HP	Nom. RPM		Wire Guard	Louver
4SHP14LE118P-6	208-230/60/1	197-253	12.3	20	9.0	48	1.1	1/6	825	87	NA	178
4SHP14LE124P-6	208-230/60/1	197-253	17.9	30	13.4	58	1.1	1/6	825	108	NA	195
4SHP14LE130P-6	208-230/60/1	197-253	17.1	25	12.8	64	1.1	1/6	825	110	NA	197
4SHP14LE136P-6	208-230/60/1	197-253	18.7	30	14.1	77	1.1	1/6	825	159	NA	222
4SHP14LE142P-6	208-230/60/1	197-253	24.2	40	17.9	112	1.8	1/3	825	184	NA	304
4SHP14LE148P-6	208-230/60/1	197-253	29.0	50	21.8	117	1.8	1/3	825	232	NA	308
4SHP14LE160P-6	208-230/60/1	197-253	29.4	50	22.1	125	1.8	1/3	825	228	NA	335

Note: Weights listed are unit weights with packaging.  
 + Factory charged for 15 feet of line set. Adjust per installation instructions.

### Unit Dimensions and Sound Ratings

Model No.	Dimensions (inch)			Rating (dBA)
	A-Width	B-Depth	C-Height	
4SHP14LE118P-6	29.38	31.25	29.75	74
4SHP14LE124P-6	29.38	31.25	37.75	74
4SHP14LE130P-6	29.38	31.25	37.75	74
4SHP14LE136P-6	29.38	31.25	33.75	74
4SHP14LE142P-6	35.75	37.75	37.75	76
4SHP14LE148P-6	35.75	37.75	37.75	76
4SHP14LE160P-6	35.75	37.75	43.75	76

Note: Dimensions listed are unit sizes w/o packaging



### Cooling Performance with Evaporator Coils

Outdoor Models	Indoor Model	Cooling				Heating				CFM	Refrigerant Connection				Refrig. Line Size		Indoor Expansion Device			
		Evaporator Coil <sup>3</sup>	SEER	EER	ARI Rated Capacity <sup>1</sup> BTUH	Rated Sensible Capacity BTUH	HSPF	47			17		Outdoor		Indoor		Suction	Liquid	Piston <sup>2</sup>	TXV
								Btuh	COP		Btuh	COP	Suction	Liquid	Suction	Liquid				
4SHP14LE118P-6	E*1P23(A,B)	13.5	11.5	17,800	13,400	8.0	16,600	3.4	10,500	2.3	650	3/4	3/8	3/4	3/8	3/4	3/8	NA	H4TXV01	
	E*1P24(A,B)	14.0	12.0	17,800	13,400	8.0	16,600	3.4	10,500	2.3	650	3/4	3/8	3/4	3/8	3/4	3/8	NA	H4TXV01	
4SHP14LE124P-6	E*1P23(A,B)	14.0	12.0	23,400	17,100	8.0	21,600	3.4	14,000	2.3	850	3/4	3/8	3/4	3/8	3/4	3/8	NA	H4TXV01	
	E*1P24(A,B)	14.0	11.5	23,400	17,100	8.2	21,600	3.4	14,000	2.3	850	3/4	3/8	3/4	3/8	3/4	3/8	NA	H4TXV01	
	E*1P29(A,B)	14.0	11.5	23,400	17,100	8.2	21,600	3.4	14,000	2.3	850	3/4	3/8	3/4	3/8	3/4	3/8	NA	H4TXV01	
4SHP14LE130P-6	E*1P29(A,B)	13.5	11.5	29,000	21,500	8.2	26,200	3.4	17,000	2.5	1050	3/4	3/8	3/4	3/8	3/4	3/8	NA	H4TXV01	
	E*1P30(A,B,C)	13.2	11.5	28,000	20,700	8.2	26,200	3.4	16,000	2.3	1050	3/4	3/8	3/4	3/8	3/4	3/8	NA	H4TXV01	
	E*1P36(A,B,C)	13.5	11.5	29,000	21,500	8.2	26,200	3.4	17,000	2.5	1050	3/4	3/8	3/4	3/8	3/4	3/8	NA	H4TXV01	
4SHP14LE136P-6	E*1P36(B,C)	13.5	12.0	34,000	25,500	8.2	33,800	3.5	21,800	2.5	1250	7/8	3/8	3/4	3/8	7/8	3/8	NA	H4TXV02	
	E*1P43(B,C)	13.5	11.5	34,000	25,500	8.2	33,800	3.5	21,800	2.4	1250	7/8	3/8	7/8	3/8	7/8	3/8	NA	H4TXV02	
4SHP14LE142P-6	E*1P49C	14.0	12.0	41,000	30,000	8.2	40,000	3.5	27,800	2.4	1400	7/8	3/8	7/8	3/8	7/8	3/8	NA	H4TXV02	
	E*1P62D	14.0	12.0	41,000	30,000	8.2	40,000	3.5	28,800	2.4	1400	7/8	3/8	7/8	3/8	7/8	3/8	NA	H4TXV02	
4SHP14LE148P-6	E*1P49C	14.0	12.0	47,000	33,900	8.2	46,000	3.4	29,600	2.5	1600	7/8	3/8	7/8	3/8	7/8	3/8	NA	H4TXV02	
	E*1P62D	14.0	12.0	47,000	33,900	8.2	46,000	3.4	29,600	2.5	1600	7/8	3/8	7/8	3/8	7/8	3/8	NA	H4TXV02	
4SHP14LE160P-6	E*1P62C	14.0	12.0	57,000	41,600	8.2	55,000	3.4	36,000	2.5	1900	7/8	3/8	7/8	3/8	1 1/8	3/8	NA	H4TXV03	
	E*1P62D	14.0	12.0	57,000	41,600	8.2	55,000	3.4	36,000	2.5	1900	7/8	3/8	7/8	3/8	1 1/8	3/8	NA	H4TXV03	

Note:

1. Certified in accordance with Unitary Air Conditioner Certification Program, which is based on AHRI Standard 210/240

2. Required to achieve AHRI rating. If NA (Not Applicable) is in the piston column, then TXV is required.

3. A blower time delay relay is required to achieve AHRI rating. This feature is standard on all Allied Air Enterprises furnace and AH products.

### Cooling Performance with Air Handlers and Furnaces

Outdoor Models	Indoor Model		Cooling				Heating				CFM	Refrigerant Connection				Refrig. Line Size		Indoor Expansion Device			
	Evaporator Coil <sup>3</sup> or Air Handler	Furnaces	SEER	EER	ARI Rated Capacity <sup>1</sup> BTUH	Rated Sensible Capacity BTUH	HSPF	47		17		Outdoor		Indoor		Suction	Liquid	Piston <sup>2</sup>	TXV		
								Btuh	COP	Btuh		COP	Suction	Liquid	Suction					Liquid	
4SHP14LE-118P-6	BCE3M18C****P		14.0	11.5	17,800	13,400	8.0	16,600	3.4	10,500	2.3	640	3/4	3/8	3/4	3/8	3/4	3/8	NA	H4TXV01	
	BCS2M24S00NA1P		15.0	12.5	17,800	13,400	8.0	16,600	3.4	10,100	2.2	650	3/4	3/8	3/4	3/8	3/4	3/8	NA	H4TXV01	
	BCS2M24V00NA1P		15.0	12.5	17,800	13,400	8.0	16,600	3.4	10,100	2.2	650	3/4	3/8	3/4	3/8	3/4	3/8	NA	H4TXV01	
	BCE3M24E****X		15.0	12.5	17,800	13,400	8.5	16,600	3.4	10,100	2.2	650	3/4	3/8	3/4	3/8	3/4	3/8	NA	FACTORY INSTALLED H4TXV01	
	E*1P23A	A80DF1E045A12		14.5	12.0	17,800	13,400	8.0	16,600	3.7	10,400	2.4	650	3/4	3/8	3/4	3/8	3/4	3/8	NA	H4TXV01
	E*1P24A	A80DF1E045A12		14.5	12.0	17,800	13,400	8.0	16,600	3.7	10,400	2.4	650	3/4	3/8	3/4	3/8	3/4	3/8	NA	H4TXV01
	E*1P23B	A80DF1E070B12		14.5	12.0	17,800	13,400	8.0	16,600	3.7	10,400	2.4	650	3/4	3/8	3/4	3/8	3/4	3/8	NA	H4TXV01
	E*1P24B	A80DF1E070B12		14.5	12.0	17,800	13,400	8.0	16,600	3.7	10,400	2.4	650	3/4	3/8	3/4	3/8	3/4	3/8	NA	H4TXV01
	E*1P23A	A80DF2V070A12*		15.0	12.5	17,800	13,400	8.0	16,600	3.7	10,400	2.4	650	3/4	3/8	3/4	3/8	3/4	3/8	NA	H4TXV01
	E*1P24A	A80DF2V070A12*		15.0	12.5	17,800	13,400	8.0	16,600	3.7	10,400	2.4	650	3/4	3/8	3/4	3/8	3/4	3/8	NA	H4TXV01
	E*1P23A	A80DS2V070A12*		15.0	12.5	17,800	13,400	8.0	16,600	3.7	10,400	2.4	650	3/4	3/8	3/4	3/8	3/4	3/8	NA	H4TXV01
	E*1P24A	A80DS2V070A12*		15.0	12.5	17,800	13,400	8.0	16,600	3.7	10,400	2.4	650	3/4	3/8	3/4	3/8	3/4	3/8	NA	H4TXV01
	E*1P23A	A80UH1E045A12*		14.5	12.0	17,800	13,400	8.0	16,600	3.7	10,400	2.4	650	3/4	3/8	3/4	3/8	3/4	3/8	NA	H4TXV01
	E*1P24A	A80UH1E045A12*		14.5	12.0	17,800	13,400	8.0	16,600	3.7	10,400	2.4	650	3/4	3/8	3/4	3/8	3/4	3/8	NA	H4TXV01
	E*1P23B	A80UH1E070B12*		14.5	12.0	17,800	13,400	8.0	16,600	3.7	10,400	2.4	650	3/4	3/8	3/4	3/8	3/4	3/8	NA	H4TXV01
	E*1P24B	A80UH1E070B12*		14.5	12.0	17,800	13,400	8.0	16,600	3.7	10,400	2.4	650	3/4	3/8	3/4	3/8	3/4	3/8	NA	H4TXV01
	E*1P23A	A80UH2V070A12*		15.0	12.5	17,800	13,400	8.0	16,600	3.7	10,400	2.4	650	3/4	3/8	3/4	3/8	3/4	3/8	NA	H4TXV01
	E*1P24A	A80UH2V070A12*		15.0	12.5	17,800	13,400	8.0	16,600	3.7	10,400	2.4	650	3/4	3/8	3/4	3/8	3/4	3/8	NA	H4TXV01
	E*1P23B	A80UH2V090B12*		15.0	12.5	17,800	13,400	8.0	16,600	3.7	10,400	2.4	650	3/4	3/8	3/4	3/8	3/4	3/8	NA	H4TXV01
	E*1P24B	A80UH2V090B12*		15.0	12.5	17,800	13,400	8.0	16,600	3.7	10,400	2.4	650	3/4	3/8	3/4	3/8	3/4	3/8	NA	H4TXV01
	E*1P23B	A80UH2V090B16*		15.0	12.5	17,800	13,400	8.0	16,600	3.7	10,400	2.4	650	3/4	3/8	3/4	3/8	3/4	3/8	NA	H4TXV01
	E*1P24B	A80UH2V090B16*		15.0	12.5	17,800	13,400	8.0	16,600	3.7	10,400	2.4	650	3/4	3/8	3/4	3/8	3/4	3/8	NA	H4TXV01
	E*1P23A	A80US2V070A12*		15.0	12.5	17,800	13,400	8.0	16,600	3.7	10,400	2.4	650	3/4	3/8	3/4	3/8	3/4	3/8	NA	H4TXV01
	E*1P24A	A80US2V070A12*		15.0	12.5	17,800	13,400	8.0	16,600	3.7	10,400	2.4	650	3/4	3/8	3/4	3/8	3/4	3/8	NA	H4TXV01
	E*1P23B	A80US2V090B12*		15.0	12.5	17,800	13,400	8.0	16,600	3.7	10,400	2.4	650	3/4	3/8	3/4	3/8	3/4	3/8	NA	H4TXV01
	E*1P24B	A80US2V090B12*		15.0	12.5	17,800	13,400	8.0	16,600	3.7	10,400	2.4	650	3/4	3/8	3/4	3/8	3/4	3/8	NA	H4TXV01
	E*1P23B	A80US2V090B16*		15.0	12.5	17,800	13,400	8.0	16,600	3.7	10,400	2.4	650	3/4	3/8	3/4	3/8	3/4	3/8	NA	H4TXV01
	E*1P24B	A80US2V090B16*		15.0	12.5	17,800	13,400	8.0	16,600	3.7	10,400	2.4	650	3/4	3/8	3/4	3/8	3/4	3/8	NA	H4TXV01
	E*1P23B	A95DF1E045B12S		14.5	12.0	17,800	13,400	8.0	16,600	3.7	10,400	2.4	650	3/4	3/8	3/4	3/8	3/4	3/8	NA	H4TXV01
	E*1P24B	A95DF1E045B12S		14.5	12.0	17,800	13,400	8.0	16,600	3.7	10,400	2.4	650	3/4	3/8	3/4	3/8	3/4	3/8	NA	H4TXV01
	E*1P23B	A95DF2V045B12S		15.0	12.5	17,800	13,400	8.0	16,600	3.7	10,400	2.4	650	3/4	3/8	3/4	3/8	3/4	3/8	NA	H4TXV01
	E*1P24B	A95DF2V045B12S		15.0	12.5	17,800	13,400	8.0	16,600	3.7	10,400	2.4	650	3/4	3/8	3/4	3/8	3/4	3/8	NA	H4TXV01
	E*1P23B	A95UH1E045B12S		14.5	12.0	17,800	13,400	8.0	16,600	3.7	10,400	2.4	650	3/4	3/8	3/4	3/8	3/4	3/8	NA	H4TXV01

Note:

1. Certified in accordance with Unitary Air Conditioner Certification Program, which is based on AHRI Standard 210/240

2. Required to achieve AHRI rating. If NA (Not Applicable) is in the piston column, then TXV is required.

3. A blower time delay relay is required to achieve AHRI rating. This feature is standard on all Allied Air Enterprises furnace and AH products.

### Cooling Performance with Air Handlers and Furnaces

Outdoor Models	Indoor Model		Cooling				Heating				CFM	Refrigerant Connection				Refrig. Line Size		Indoor Expansion Device		
	Evaporator Coil <sup>3</sup> or Air Handler	Furnaces	SEER	EER	ARI Rated Capacity <sup>1</sup> BTUH	Rated Sensible Capacity BTUH	HSPF	47		17		Outdoor		Indoor		Suction	Liquid	Piston <sup>2</sup>	TXV	
								Btuh	COP	Btuh		COP	Suction	Liquid	Suction					Liquid
4SHP14LE-118P-6	E*1P24B	A95UH1E045B12S	14.5	12.0	17,800	13,400	8.0	16,600	3.7	10,400	2.4	650	3/4	3/8	3/4	3/8	3/4	3/8	NA	H4TXV01
	E*1P23B	A95UH1E070B12S	14.5	12.0	17,800	13,400	8.0	16,600	3.7	10,400	2.4	650	3/4	3/8	3/4	3/8	3/4	3/8	NA	H4TXV01
	E*1P24B	A95UH1E070B12S	14.5	12.0	17,800	13,400	8.0	16,600	3.7	10,400	2.4	650	3/4	3/8	3/4	3/8	3/4	3/8	NA	H4TXV01
	E*1P23B	A95UH2V045B12S	14.5	12.5	17,800	13,400	8.0	16,600	3.7	10,400	2.4	650	3/4	3/8	3/4	3/8	3/4	3/8	NA	H4TXV01
	E*1P24B	A95UH2V045B12S	14.5	12.5	17,800	13,400	8.0	16,600	3.7	10,400	2.4	650	3/4	3/8	3/4	3/8	3/4	3/8	NA	H4TXV01
	E*1P23B	A95UH2V070B12S	15.0	12.5	17,800	13,400	8.0	16,600	3.7	10,400	2.4	650	3/4	3/8	3/4	3/8	3/4	3/8	NA	H4TXV01
	E*1P24B	A95UH2V070B12S	15.0	12.5	17,800	13,400	8.0	16,600	3.7	10,400	2.4	650	3/4	3/8	3/4	3/8	3/4	3/8	NA	H4TXV01
	E*1P23B	A97DSMV070B12*	15.0	12.5	17,800	13,400	8.0	16,600	3.7	10,400	2.4	650	3/4	3/8	3/4	3/8	3/4	3/8	NA	H4TXV01
	E*1P24B	A97DSMV070B12*	15.0	12.5	17,800	13,400	8.0	16,600	3.7	10,400	2.4	650	3/4	3/8	3/4	3/8	3/4	3/8	NA	H4TXV01
	E*1P23B	A97USMV070B12*	15.0	12.5	17,800	13,400	8.0	16,600	3.7	10,400	2.4	650	3/4	3/8	3/4	3/8	3/4	3/8	NA	H4TXV01
	E*1P24B	A97USMV070B12*	15.0	12.5	17,800	13,400	8.0	16,600	3.7	10,400	2.4	650	3/4	3/8	3/4	3/8	3/4	3/8	NA	H4TXV01
	E*1P23B	EFV08BC	15.0	12.5	17,800	13,400	8.0	16,600	3.7	10,400	2.4	650	3/4	3/8	3/4	3/8	3/4	3/8	NA	H4TXV01
	E*1P24B	EFV08BC	15.0	12.5	17,800	13,400	8.0	16,600	3.7	10,400	2.4	650	3/4	3/8	3/4	3/8	3/4	3/8	NA	H4TXV01
	E*1P23B	L83HF1V84/95E12	15.0	12.5	17,800	13,400	8.0	16,600	3.5	10,400	2.4	650	3/4	3/8	3/4	3/8	3/4	3/8	NA	H4TXV01
	E*1P24B	L83HF1V84/95E12	15.0	12.5	17,800	13,400	8.0	16,600	3.5	10,400	2.4	650	3/4	3/8	3/4	3/8	3/4	3/8	NA	H4TXV01
	E*1P23B	L83HR1V84/95E12	15.0	12.5	17,800	13,400	8.0	16,600	3.5	10,400	2.4	650	3/4	3/8	3/4	3/8	3/4	3/8	NA	H4TXV01
	E*1P24B	L83HR1V84/95E12	15.0	12.5	17,800	13,400	8.0	16,600	3.5	10,400	2.4	650	3/4	3/8	3/4	3/8	3/4	3/8	NA	H4TXV01
	E*1P23B	L83UF1V57/72E12	15.0	12.5	17,800	13,400	8.0	16,600	3.5	10,400	2.4	650	3/4	3/8	3/4	3/8	3/4	3/8	NA	H4TXV01
E*1P24B	L83UF1V57/72E12	15.0	12.5	17,800	13,400	8.0	16,600	3.5	10,400	2.4	650	3/4	3/8	3/4	3/8	3/4	3/8	NA	H4TXV01	
4SHP14LE-124P-6	BCE3M24C****P		14.0	12.0	23,400	17,100	8.2	21,600	3.4	14,000	2.3	850	3/4	3/8	7/8	3/8	3/4	3/8	NA	H4TXV01
	BCS2M24S00NA1P		15.0	12.5	23,400	17,100	8.5	21,600	3.6	13,600	2.5	850	3/4	3/8	3/4	3/8	3/4	3/8	NA	H4TXV01
	BCS2M24V00NA1P		15.0	12.5	23,400	17,100	8.5	21,600	3.6	13,600	2.5	850	3/4	3/8	3/4	3/8	3/4	3/8	NA	H4TXV01
	BCE3M30E****X		15.0	12.5	23,400	17,100	8.5	21,600	3.6	13,600	2.5	850	3/4	3/8	3/4	3/8	3/4	3/8	NA	FACTORY INSTALLED H4TXV01
	E*1P23A	A80DF1E045A12	15.0	12.5	23,400	17,100	8.2	21,600	3.6	14,000	2.5	850	3/4	3/8	3/4	3/8	3/4	3/8	NA	H4TXV01
	E*1P24A	A80DF1E045A12	15.0	12.5	23,400	17,100	8.5	21,600	3.6	14,000	2.5	850	3/4	3/8	3/4	3/8	3/4	3/8	NA	H4TXV01
	E*1P29A	A80DF1E045A12	15.0	12.5	23,400	17,100	8.5	21,600	3.6	14,000	2.5	850	3/4	3/8	3/4	3/8	3/4	3/8	NA	H4TXV01
	E*1P23B	A80DF1E070B12	15.0	12.5	23,400	17,100	8.2	21,600	3.6	14,000	2.5	850	3/4	3/8	3/4	3/8	3/4	3/8	NA	H4TXV01
	E*1P24B	A80DF1E070B12	15.0	12.5	23,400	17,100	8.5	21,600	3.6	14,000	2.5	850	3/4	3/8	3/4	3/8	3/4	3/8	NA	H4TXV01
	E*1P29B	A80DF1E070B12	15.0	12.5	23,400	17,100	8.5	21,600	3.6	14,000	2.5	850	3/4	3/8	3/4	3/8	3/4	3/8	NA	H4TXV01
	E*1P23A	A80DF2V070A12*	15.0	12.5	23,400	17,100	8.2	21,600	3.6	14,000	2.5	850	3/4	3/8	3/4	3/8	3/4	3/8	NA	H4TXV01
	E*1P24A	A80DF2V070A12*	15.0	12.5	23,400	17,100	8.5	21,600	3.6	14,000	2.5	850	3/4	3/8	3/4	3/8	3/4	3/8	NA	H4TXV01
	E*1P29A	A80DF2V070A12*	15.0	12.5	23,400	17,100	8.5	21,600	3.6	14,000	2.5	850	3/4	3/8	3/4	3/8	3/4	3/8	NA	H4TXV01
	E*1P23B	A80DF2V090B16*	15.0	12.5	23,400	17,100	8.2	21,600	3.6	14,000	2.5	850	3/4	3/8	3/4	3/8	3/4	3/8	NA	H4TXV01

Note:

1. Certified in accordance with Unitary Air Conditioner Certification Program, which is based on AHRI Standard 210/240
2. Required to achieve AHRI rating. If NA (Not Applicable) is in the piston column, then TXV is required.
3. A blower time delay relay is required to achieve AHRI rating. This feature is standard on all Allied Air Enterprises furnace and AH products.

### Cooling Performance with Air Handlers and Furnaces

Outdoor Models	Indoor Model		Cooling				Heating					CFM	Refrigerant Connection				Refrig. Line Size		Indoor Expansion Device	
	Evaporator Coil <sup>3</sup> or Air Handler	Furnaces	SEER	EER	ARI Rated Capacity <sup>1</sup> BTUH	Rated Sensible Capacity BTUH	HSPF	47		17			Outdoor		Indoor		Suction	Liquid	Piston <sup>2</sup>	TXV
								Btuh	COP	Btuh	COP		Suction	Liquid	Suction	Liquid				
4SHP14LE-124P-6	E*1P24B	A80DF2V090B16*	15.0	12.5	23,400	17,100	8.5	21,600	3.6	14,000	2.5	850	3/4	3/8	3/4	3/8	3/4	3/8	NA	H4TXV01
	E*1P29B	A80DF2V090B16*	15.0	12.5	23,400	17,100	8.5	21,600	3.6	14,000	2.5	850	3/4	3/8	3/4	3/8	3/4	3/8	NA	H4TXV01
	E*1P23A	A80DS2V070A12*	15.0	12.5	23,400	17,100	8.2	21,600	3.6	14,000	2.5	850	3/4	3/8	3/4	3/8	3/4	3/8	NA	H4TXV01
	E*1P24A	A80DS2V070A12*	15.0	12.5	23,400	17,100	8.5	21,600	3.6	14,000	2.5	850	3/4	3/8	3/4	3/8	3/4	3/8	NA	H4TXV01
	E*1P29A	A80DS2V070A12*	15.0	12.5	23,400	17,100	8.5	21,600	3.6	14,000	2.5	850	3/4	3/8	3/4	3/8	3/4	3/8	NA	H4TXV01
	E*1P23B	A80DS2V090B16*	15.0	12.5	23,400	17,100	8.2	21,600	3.6	14,000	2.5	850	3/4	3/8	3/4	3/8	3/4	3/8	NA	H4TXV01
	E*1P24B	A80DS2V090B16*	15.0	12.5	23,400	17,100	8.5	21,600	3.6	14,000	2.5	850	3/4	3/8	3/4	3/8	3/4	3/8	NA	H4TXV01
	E*1P29B	A80DS2V090B16*	15.0	12.5	23,400	17,100	8.5	21,600	3.6	14,000	2.5	850	3/4	3/8	3/4	3/8	3/4	3/8	NA	H4TXV01
	E*1P23A	A80UH1E045A12*	14.5	12.0	23,400	17,100	8.2	21,600	3.6	14,000	2.5	875	3/4	3/8	3/4	3/8	3/4	3/8	NA	H4TXV01
	E*1P24A	A80UH1E045A12*	14.5	12.0	23,400	17,100	8.5	21,600	3.6	14,000	2.5	875	3/4	3/8	3/4	3/8	3/4	3/8	NA	H4TXV01
	E*1P29A	A80UH1E045A12*	14.5	12.0	23,400	17,100	8.5	21,600	3.6	14,000	2.5	850	3/4	3/8	3/4	3/8	3/4	3/8	NA	H4TXV01
	E*1P23B	A80UH1E070B12*	15.0	12.5	23,400	17,100	8.2	21,600	3.6	14,000	2.5	850	3/4	3/8	3/4	3/8	3/4	3/8	NA	H4TXV01
	E*1P24B	A80UH1E070B12*	15.0	12.5	23,400	17,100	8.5	21,600	3.6	14,000	2.5	850	3/4	3/8	3/4	3/8	3/4	3/8	NA	H4TXV01
	E*1P29B	A80UH1E070B12*	15.0	12.5	23,400	17,100	8.5	21,600	3.6	14,000	2.5	850	3/4	3/8	3/4	3/8	3/4	3/8	NA	H4TXV01
	E*1P23A	A80UH2V070A12*	15.0	12.5	23,400	17,100	8.2	21,600	3.6	14,000	2.5	850	3/4	3/8	3/4	3/8	3/4	3/8	NA	H4TXV01
	E*1P24A	A80UH2V070A12*	15.0	12.5	23,400	17,100	8.5	21,600	3.6	14,000	2.5	850	3/4	3/8	3/4	3/8	3/4	3/8	NA	H4TXV01
	E*1P29A	A80UH2V070A12*	15.0	12.5	23,400	17,100	8.5	21,600	3.6	14,000	2.5	850	3/4	3/8	3/4	3/8	3/4	3/8	NA	H4TXV01
	E*1P23B	A80UH2V090B12*	15.0	12.5	23,400	17,100	8.2	21,600	3.6	14,000	2.5	850	3/4	3/8	3/4	3/8	3/4	3/8	NA	H4TXV01
	E*1P24B	A80UH2V090B12*	15.0	12.5	23,400	17,100	8.5	21,600	3.6	14,000	2.5	850	3/4	3/8	3/4	3/8	3/4	3/8	NA	H4TXV01
	E*1P29B	A80UH2V090B12*	15.0	12.5	23,400	17,100	8.5	21,600	3.6	14,000	2.5	850	3/4	3/8	3/4	3/8	3/4	3/8	NA	H4TXV01
	E*1P23B	A80UH2V090B16*	15.0	12.5	23,400	17,100	8.2	21,600	3.6	14,000	2.5	850	3/4	3/8	3/4	3/8	3/4	3/8	NA	H4TXV01
	E*1P24B	A80UH2V090B16*	15.0	12.5	23,400	17,100	8.5	21,600	3.6	14,000	2.5	850	3/4	3/8	3/4	3/8	3/4	3/8	NA	H4TXV01
	E*1P29B	A80UH2V090B16*	15.0	12.5	23,400	17,100	8.5	21,600	3.6	14,000	2.5	850	3/4	3/8	3/4	3/8	3/4	3/8	NA	H4TXV01
	E*1P23A	A80US2V070A12*	15.0	12.5	23,400	17,100	8.2	21,600	3.6	14,000	2.5	850	3/4	3/8	3/4	3/8	3/4	3/8	NA	H4TXV01
	E*1P24A	A80US2V070A12*	15.0	12.5	23,400	17,100	8.5	21,600	3.6	14,000	2.5	850	3/4	3/8	3/4	3/8	3/4	3/8	NA	H4TXV01
	E*1P29A	A80US2V070A12*	15.0	12.5	23,400	17,100	8.5	21,600	3.6	14,000	2.5	850	3/4	3/8	3/4	3/8	3/4	3/8	NA	H4TXV01
	E*1P23B	A80US2V090B12*	15.0	12.5	23,400	17,100	8.2	21,600	3.6	14,000	2.5	850	3/4	3/8	3/4	3/8	3/4	3/8	NA	H4TXV01
	E*1P24B	A80US2V090B12*	15.0	12.5	23,400	17,100	8.5	21,600	3.6	14,000	2.5	850	3/4	3/8	3/4	3/8	3/4	3/8	NA	H4TXV01
	E*1P29B	A80US2V090B12*	15.0	12.5	23,400	17,100	8.5	21,600	3.6	14,000	2.5	850	3/4	3/8	3/4	3/8	3/4	3/8	NA	H4TXV01
	E*1P23B	A80US2V090B16*	15.0	12.5	23,400	17,100	8.2	21,600	3.6	14,000	2.5	850	3/4	3/8	3/4	3/8	3/4	3/8	NA	H4TXV01
	E*1P24A	A80DF2V070A12*	15.0	12.5	23,400	17,100	8.5	21,600	3.6	14,000	2.5	850	3/4	3/8	3/4	3/8	3/4	3/8	NA	H4TXV01
	E*1P29A	A80DF2V070A12*	15.0	12.5	23,400	17,100	8.5	21,600	3.6	14,000	2.5	850	3/4	3/8	3/4	3/8	3/4	3/8	NA	H4TXV01
E*1P23B	A80DF2V090B16*	15.0	12.5	23,400	17,100	8.2	21,600	3.6	14,000	2.5	850	3/4	3/8	3/4	3/8	3/4	3/8	NA	H4TXV01	

Note:

1. Certified in accordance with Unitary Air Conditioner Certification Program, which is based on AHRI Standard 210/240

2. Required to achieve AHRI rating. If NA (Not Applicable) is in the piston column, then TXV is required.

3. A blower time delay relay is required to achieve AHRI rating. This feature is standard on all Allied Air Enterprises furnace and AH products.

### Cooling Performance with Air Handlers and Furnaces

Outdoor Models	Indoor Model		Cooling				Heating					CFM	Refrigerant Connection				Refrig. Line Size		Indoor Expansion Device	
	Evaporator Coil <sup>3</sup> or Air Handler	Furnaces	SEER	EER	ARI Rated Capacity <sup>1</sup> BTUH	Rated Sensible Capacity BTUH	HSPF	47		17			Outdoor		Indoor		Suction	Liquid	Piston <sup>2</sup>	TXV
								Btuh	COP	Btuh	COP		Suction	Liquid						
															Suction	Liquid				
4SH14LE-124P-6	E*1P24B	A80US2V090B16*	15.0	12.5	23,400	17,100	8.5	21,600	3.6	14,000	2.5	850	3/4	3/8	3/4	3/8	3/4	3/8	NA	H4TXV01
	E*1P29B	A80US2V090B16*	15.0	12.5	23,400	17,100	8.5	21,600	3.6	14,000	2.5	850	3/4	3/8	3/4	3/8	3/4	3/8	NA	H4TXV01
	E*1P23B	A95DF1E045B12S	14.5	12.0	23,400	17,100	8.2	21,600	3.6	14,000	2.5	875	3/4	3/8	3/4	3/8	3/4	3/8	NA	H4TXV01
	E*1P24B	A95DF1E045B12S	14.5	12.0	23,400	17,100	8.5	21,600	3.6	14,000	2.5	875	3/4	3/8	3/4	3/8	3/4	3/8	NA	H4TXV01
	E*1P29B	A95DF1E045B12S	14.5	12.0	23,400	17,100	8.5	21,600	3.6	14,000	2.5	875	3/4	3/8	3/4	3/8	3/4	3/8	NA	H4TXV01
	E*1P23B	A95DF2V045B12S	15.0	12.5	23,400	17,100	8.2	21,600	3.6	14,000	2.5	850	3/4	3/8	3/4	3/8	3/4	3/8	NA	H4TXV01
	E*1P24B	A95DF2V045B12S	15.0	12.5	23,400	17,100	8.5	21,600	3.6	14,000	2.5	850	3/4	3/8	3/4	3/8	3/4	3/8	NA	H4TXV01
	E*1P29B	A95DF2V045B12S	15.0	12.5	23,400	17,100	8.5	21,600	3.6	14,000	2.5	850	3/4	3/8	3/4	3/8	3/4	3/8	NA	H4TXV01
	E*1P23B	A95DF2V070B16S	15.0	12.5	23,400	17,100	8.2	21,600	3.6	14,000	2.5	850	3/4	3/8	3/4	3/8	3/4	3/8	NA	H4TXV01
	E*1P24B	A95DF2V070B16S	15.0	12.5	23,400	17,100	8.5	21,600	3.6	14,000	2.5	850	3/4	3/8	3/4	3/8	3/4	3/8	NA	H4TXV01
	E*1P29B	A95DF2V070B16S	15.0	12.5	23,400	17,100	8.5	21,600	3.6	14,000	2.5	850	3/4	3/8	3/4	3/8	3/4	3/8	NA	H4TXV01
	E*1P23B	A95UH1E045B12S	14.5	12.0	23,400	17,100	8.2	21,600	3.6	14,000	2.5	875	3/4	3/8	3/4	3/8	3/4	3/8	NA	H4TXV01
	E*1P24B	A95UH1E045B12S	14.5	12.0	23,400	17,100	8.5	21,600	3.6	14,000	2.5	875	3/4	3/8	3/4	3/8	3/4	3/8	NA	H4TXV01
	E*1P29B	A95UH1E045B12S	14.5	12.0	23,400	17,100	8.5	21,600	3.6	14,000	2.5	875	3/4	3/8	3/4	3/8	3/4	3/8	NA	H4TXV01
	E*1P23B	A95UH1E070B12S	14.5	12.0	23,400	17,100	8.2	21,600	3.6	14,000	2.5	875	3/4	3/8	3/4	3/8	3/4	3/8	NA	H4TXV01
	E*1P24B	A95UH1E070B12S	14.5	12.0	23,400	17,100	8.5	21,600	3.6	14,000	2.5	875	3/4	3/8	3/4	3/8	3/4	3/8	NA	H4TXV01
	E*1P29B	A95UH1E070B12S	14.5	12.0	23,400	17,100	8.5	21,600	3.6	14,000	2.5	875	3/4	3/8	3/4	3/8	3/4	3/8	NA	H4TXV01
	E*1P23B	A95UH2V045B12S	15.0	12.5	23,400	17,100	8.2	21,600	3.6	14,000	2.5	850	3/4	3/8	3/4	3/8	3/4	3/8	NA	H4TXV01
	E*1P24B	A95UH2V045B12S	15.0	12.5	23,400	17,100	8.5	21,600	3.6	14,000	2.5	850	3/4	3/8	3/4	3/8	3/4	3/8	NA	H4TXV01
	E*1P29B	A95UH2V045B12S	15.0	12.5	23,400	17,100	8.5	21,600	3.6	14,000	2.5	850	3/4	3/8	3/4	3/8	3/4	3/8	NA	H4TXV01
	E*1P23B	A95UH2V070B12S	15.0	12.5	23,400	17,100	8.2	21,600	3.6	14,000	2.5	850	3/4	3/8	3/4	3/8	3/4	3/8	NA	H4TXV01
	E*1P24B	A95UH2V070B12S	15.0	12.5	23,400	17,100	8.5	21,600	3.6	14,000	2.5	850	3/4	3/8	3/4	3/8	3/4	3/8	NA	H4TXV01
	E*1P29B	A95UH2V070B12S	15.0	12.5	23,400	17,100	8.5	21,600	3.6	14,000	2.5	850	3/4	3/8	3/4	3/8	3/4	3/8	NA	H4TXV01
	E*1P23B	A97DSMV070B12*	15.0	12.5	23,400	17,100	8.2	21,600	3.6	14,000	2.5	850	3/4	3/8	3/4	3/8	3/4	3/8	NA	H4TXV01
	E*1P24B	A97DSMV070B12*	15.0	12.5	23,400	17,100	8.5	21,600	3.6	14,000	2.5	850	3/4	3/8	3/4	3/8	3/4	3/8	NA	H4TXV01
	E*1P29B	A97DSMV070B12*	15.0	12.5	23,400	17,100	8.5	21,600	3.6	14,000	2.5	850	3/4	3/8	3/4	3/8	3/4	3/8	NA	H4TXV01
	E*1P23B	A97USMV070B12*	15.0	12.5	23,400	17,100	8.2	21,600	3.6	14,000	2.5	850	3/4	3/8	3/4	3/8	3/4	3/8	NA	H4TXV01
	E*1P24B	A97USMV070B12*	15.0	12.5	23,400	17,100	8.5	21,600	3.6	14,000	2.5	850	3/4	3/8	3/4	3/8	3/4	3/8	NA	H4TXV01
	E*1P29B	A97USMV070B12*	15.0	12.5	23,400	17,100	8.5	21,600	3.6	14,000	2.5	850	3/4	3/8	3/4	3/8	3/4	3/8	NA	H4TXV01
	E*1P23B	EFV08BC	15.0	12.5	23,400	17,100	8.2	21,600	3.6	14,000	2.5	850	3/4	3/8	3/4	3/8	3/4	3/8	NA	H4TXV01

Note:

1. Certified in accordance with Unitary Air Conditioner Certification Program, which is based on AHRI Standard 210/240

2. Required to achieve AHRI rating. If NA (Not Applicable) is in the piston column, then TXV is required.

3. A blower time delay relay is required to achieve AHRI rating. This feature is standard on all Allied Air Enterprises furnace and AH products.



### Cooling Performance with Air Handlers and Furnaces

Outdoor Models	Indoor Model		Cooling				HSPF	Heating				CFM	Refrigerant Connection				Refrig. Line Size		Indoor Expansion Device	
	Evaporator Coil <sup>3</sup> or Air Handler	Furnaces	SEER	EER	ARI Rated Capacity <sup>1</sup> BTUH	Rated Sensible Capacity BTUH		47		17			Outdoor		Indoor		Suction	Liquid	Piston <sup>2</sup>	TXV
								Btuh	COP	Btuh	COP		Suction	Liquid	Suction	Liquid				
4SHP14LE124P-6	E*1P24B	EFV08BC	15.0	12.5	23,400	17,100	8.5	21,600	3.6	14,000	2.5	850	3/4	3/8	3/4	3/8	3/4	3/8	NA	H4TXV01
	E*1P29B	EFV08BC	15.0	12.5	23,400	17,100	8.5	21,600	3.6	14,000	2.5	850	3/4	3/8	3/4	3/8	3/4	3/8	NA	H4TXV01
	E*1P23B	L83B*1V84/95E14	15.0	12.5	23,400	17,100	8.0	21,600	3.5	14,000	2.5	850	3/4	3/8	3/4	3/8	3/4	3/8	NA	H4TXV01
	E*1P24B	L83B*1V84/95E14	15.0	12.5	23,400	17,100	8.2	21,600	3.5	14,000	2.5	850	3/4	3/8	3/4	3/8	3/4	3/8	NA	H4TXV01
	E*1P29B	L83B*1V84/95E14	15.0	12.5	23,400	17,100	8.2	21,600	3.5	14,000	2.5	850	3/4	3/8	3/4	3/8	3/4	3/8	NA	H4TXV01
	E*1P23B	L83HF1V84/95E12	15.0	12.5	23,400	17,100	8.0	21,600	3.5	14,000	2.5	850	3/4	3/8	3/4	3/8	3/4	3/8	NA	H4TXV01
	E*1P24B	L83HF1V84/95E12	15.0	12.5	23,400	17,100	8.2	21,600	3.5	14,000	2.5	850	3/4	3/8	3/4	3/8	3/4	3/8	NA	H4TXV01
	E*1P29B	L83HF1V84/95E12	15.0	12.5	23,400	17,100	8.2	21,600	3.5	14,000	2.5	850	3/4	3/8	3/4	3/8	3/4	3/8	NA	H4TXV01
	E*1P23B	L83HR1V84/95E12	15.0	12.5	23,400	17,100	8.0	21,600	3.5	14,000	2.5	850	3/4	3/8	3/4	3/8	3/4	3/8	NA	H4TXV01
	E*1P24B	L83HR1V84/95E12	15.0	12.5	23,400	17,100	8.2	21,600	3.5	14,000	2.5	850	3/4	3/8	3/4	3/8	3/4	3/8	NA	H4TXV01
	E*1P29B	L83HR1V84/95E12	15.0	12.5	23,400	17,100	8.2	21,600	3.5	14,000	2.5	850	3/4	3/8	3/4	3/8	3/4	3/8	NA	H4TXV01
	E*1P23B	L83UF1V57/72E12	15.0	12.5	23,400	17,100	8.0	21,600	3.5	14,000	2.5	850	3/4	3/8	3/4	3/8	3/4	3/8	NA	H4TXV01
	E*1P24B	L83UF1V57/72E12	15.0	12.5	23,400	17,100	8.2	21,600	3.5	14,000	2.5	850	3/4	3/8	3/4	3/8	3/4	3/8	NA	H4TXV01
	E*1P29B	L83UF1V57/72E12	15.0	12.5	23,400	17,100	8.2	21,600	3.5	14,000	2.5	850	3/4	3/8	3/4	3/8	3/4	3/8	NA	H4TXV01
	E*1P23B	L83UF1V84/95E14	15.0	12.5	23,400	17,100	8.0	21,600	3.5	14,000	2.5	850	3/4	3/8	3/4	3/8	3/4	3/8	NA	H4TXV01
	E*1P24B	L83UF1V84/95E14	15.0	12.5	23,400	17,100	8.2	21,600	3.5	14,000	2.5	850	3/4	3/8	3/4	3/8	3/4	3/8	NA	H4TXV01
	E*1P29B	L83UF1V84/95E14	15.0	12.5	23,400	17,100	8.2	21,600	3.5	14,000	2.5	850	3/4	3/8	3/4	3/8	3/4	3/8	NA	H4TXV01
	4SHP14LE130P-6	BCE3M30****P		14.0	12.0	28,600	21,200	8.2	26,200	3.4	17,000	2.5	1050	3/4	3/8	7/8	3/8	3/4	3/8	NA
BCS2M36S00NA1P			15.0	12.5	29,000	21,500	8.5	26,200	3.6	17,000	2.5	1050	3/4	3/8	7/8	3/8	3/4	3/8	NA	H4TXV01
BCS2M36V00NA1P			15.0	12.5	29,000	21,500	8.5	26,200	3.6	17,000	2.5	1050	3/4	3/8	7/8	3/8	3/4	3/8	NA	H4TXV01
BCS3M30****P			14.0	12.0	28,600	21,200	8.2	26,200	3.4	17,000	2.5	1050	3/4	3/8	7/8	3/8	3/4	3/8	NA	H4TXV01
BCE3M30E****X			15.0	12.5	28,600	21,200	8.5	26,200	3.4	17,000	2.5	1050	3/4	3/8	7/8	3/8	3/4	3/8	NA	FACTORY INSTALLED H4TXV01
E*1P29A		A80DF1E045A12	14.5	12.5	29,000	21,500	8.5	26,200	3.6	17,000	2.5	1050	3/4	3/8	3/4	3/8	3/4	3/8	NA	H4TXV01
E*1P36A		A80DF1E045A12	14.5	12.5	29,000	21,500	8.5	26,200	3.6	17,000	2.5	1050	3/4	3/8	3/4	3/8	3/4	3/8	NA	H4TXV01
E*1P29B		A80DF1E070B12	14.5	12.5	29,000	21,500	8.5	26,200	3.6	17,000	2.5	1050	3/4	3/8	3/4	3/8	3/4	3/8	NA	H4TXV01
E*1P36B		A80DF1E070B12	14.5	12.5	29,000	21,500	8.5	26,200	3.6	17,000	2.5	1050	3/4	3/8	3/4	3/8	3/4	3/8	NA	H4TXV01
E*1P29B		A80DF1E090B16	14.5	12.5	29,000	21,500	8.5	26,200	3.6	17,000	2.5	1050	3/4	3/8	3/4	3/8	3/4	3/8	NA	H4TXV01
E*1P36B		A80DF1E090B16	14.5	12.5	29,000	21,500	8.5	26,200	3.6	17,000	2.5	1050	3/4	3/8	3/4	3/8	3/4	3/8	NA	H4TXV01
E*1P29A		A80DF2V070A12*	15.0	12.5	29,000	21,500	8.5	26,200	3.6	17,000	2.5	1050	3/4	3/8	3/4	3/8	3/4	3/8	NA	H4TXV01
E*1P30A		A80DF2V070A12*	14.5	12.5	28,000	20,700	8.5	26,200	3.6	15,600	2.4	1050	3/4	3/8	3/4	3/8	3/4	3/8	NA	H4TXV01
E*1P36A		A80DF2V070A12*	15.0	12.5	29,000	21,500	8.5	26,200	3.6	17,000	2.5	1050	3/4	3/8	3/4	3/8	3/4	3/8	NA	H4TXV01

Note:

1. Certified in accordance with Unitary Air Conditioner Certification Program, which is based on AHRI Standard 210/240

2. Required to achieve AHRI rating. If NA (Not Applicable) is in the piston column, then TXV is required.

3. A blower time delay relay is required to achieve AHRI rating. This feature is standard on all Allied Air Enterprises furnace and AH products.



### Cooling Performance with Air Handlers and Furnaces

Outdoor Models	Indoor Model		Cooling				Heating				CFM	Refrigerant Connection				Refrig. Line Size		Indoor Expansion Device		
	Evaporator Coil <sup>3</sup> or Air Handler	Furnaces	SEER	EER	ARI Rated Capacity <sup>1</sup> BTUH	Rated Sensible Capacity BTUH	HSPF	47		17		Outdoor		Indoor		Suction	Liquid	Piston <sup>2</sup>	TXV	
								Btuh	COP	Btuh		COP	Suction	Liquid						
															Suction					Liquid
4SH14LE130P-6	E*1P29B	A80DF2V090B16*	15.0	12.5	29,000	21,500	8.5	26,200	3.6	17,000	2.5	1050	3/4	3/8	3/4	3/8	3/4	3/8	NA	H4TXV01
	E*1P30B	A80DF2V090B16*	14.5	12.5	28,000	20,700	8.5	26,200	3.6	15,600	2.4	1050	3/4	3/8	3/4	3/8	3/4	3/8	NA	H4TXV01
	E*1P36B	A80DF2V090B16*	15.0	12.5	29,000	21,500	8.5	26,200	3.6	17,000	2.5	1050	3/4	3/8	3/4	3/8	3/4	3/8	NA	H4TXV01
	E*1P30C	A80DF2V110C20*	15.0	12.5	28,000	20,700	8.5	26,200	3.6	15,500	2.4	1050	3/4	3/8	3/4	3/8	3/4	3/8	NA	H4TXV01
	E*1P36C	A80DF2V110C20*	15.0	12.5	29,000	21,500	8.5	26,200	3.6	17,000	2.5	1050	3/4	3/8	3/4	3/8	3/4	3/8	NA	H4TXV01
	E*1P29A	A80DS2V070A12*	15.0	12.5	29,000	21,500	8.5	26,200	3.6	17,000	2.5	1050	3/4	3/8	3/4	3/8	3/4	3/8	NA	H4TXV01
	E*1P30A	A80DS2V070A12*	14.5	12.5	28,000	20,700	8.5	26,200	3.6	15,600	2.4	1050	3/4	3/8	3/4	3/8	3/4	3/8	NA	H4TXV01
	E*1P36A	A80DS2V070A12*	15.0	12.5	29,000	21,500	8.5	26,200	3.6	17,000	2.5	1050	3/4	3/8	3/4	3/8	3/4	3/8	NA	H4TXV01
	E*1P29B	A80DS2V090B16*	15.0	12.5	29,000	21,500	8.5	26,200	3.6	17,000	2.5	1050	3/4	3/8	3/4	3/8	3/4	3/8	NA	H4TXV01
	E*1P30B	A80DS2V090B16*	14.5	12.5	28,000	20,700	8.5	26,200	3.6	15,600	2.4	1050	3/4	3/8	3/4	3/8	3/4	3/8	NA	H4TXV01
	E*1P36B	A80DS2V090B16*	15.0	12.5	29,000	21,500	8.5	26,200	3.6	17,000	2.5	1050	3/4	3/8	3/4	3/8	3/4	3/8	NA	H4TXV01
	E*1P30C	A80DS2V110C20*	15.0	12.5	28,000	20,700	8.5	26,200	3.6	15,500	2.4	1050	3/4	3/8	3/4	3/8	3/4	3/8	NA	H4TXV01
	E*1P36C	A80DS2V110C20*	15.0	12.5	29,000	21,500	8.5	26,200	3.6	17,000	2.5	1050	3/4	3/8	3/4	3/8	3/4	3/8	NA	H4TXV01
	E*1P29A	A80UH1E045A12*	14.0	12.0	29,000	21,500	8.2	26,200	3.5	17,000	2.5	1050	3/4	3/8	3/4	3/8	3/4	3/8	NA	H4TXV01
	E*1P30A	A80UH1E045A12*	13.5	11.5	28,000	20,700	8.2	26,200	3.5	15,600	2.3	1050	3/4	3/8	3/4	3/8	3/4	3/8	NA	H4TXV01
	E*1P29B	A80UH1E070B12*	14.5	12.5	29,000	21,500	8.5	26,200	3.6	17,000	2.5	1050	3/4	3/8	3/4	3/8	3/4	3/8	NA	H4TXV01
	E*1P36B	A80UH1E070B12*	14.5	12.5	29,000	21,500	8.5	26,200	3.6	17,000	2.5	1050	3/4	3/8	3/4	3/8	3/4	3/8	NA	H4TXV01
	E*1P29B	A80UH1E090B16*	14.5	12.5	29,000	21,500	8.5	26,200	3.5	17,000	2.5	1050	3/4	3/8	3/4	3/8	3/4	3/8	NA	H4TXV01
	E*1P30B	A80UH1E090B16*	14.0	12.0	28,000	20,700	8.5	26,200	3.5	15,600	2.3	1050	3/4	3/8	3/4	3/8	3/4	3/8	NA	H4TXV01
	E*1P36B	A80UH1E090B16*	14.0	12.0	29,000	21,500	8.5	26,200	3.5	17,000	2.5	1050	3/4	3/8	3/4	3/8	3/4	3/8	NA	H4TXV01
	E*1P29A	A80UH2V070A12*	15.0	12.5	29,000	21,500	8.5	26,200	3.6	17,000	2.5	1050	3/4	3/8	3/4	3/8	3/4	3/8	NA	H4TXV01
	E*1P30A	A80UH2V070A12*	14.5	12.5	28,000	20,700	8.5	26,200	3.6	15,600	2.4	1050	3/4	3/8	3/4	3/8	3/4	3/8	NA	H4TXV01
	E*1P36A	A80UH2V070A12*	15.0	12.5	29,000	21,500	8.5	26,200	3.6	17,000	2.5	1050	3/4	3/8	3/4	3/8	3/4	3/8	NA	H4TXV01
	E*1P29B	A80UH2V090B12*	15.0	12.5	29,000	21,500	8.5	26,200	3.6	17,000	2.5	1050	3/4	3/8	3/4	3/8	3/4	3/8	NA	H4TXV01
	E*1P30B	A80UH2V090B12*	15.0	12.5	28,000	20,700	8.5	26,200	3.6	15,500	2.4	1050	3/4	3/8	3/4	3/8	3/4	3/8	NA	H4TXV01
	E*1P36B	A80UH2V090B12*	15.0	12.5	29,000	21,500	8.5	26,200	3.6	17,000	2.5	1050	3/4	3/8	3/4	3/8	3/4	3/8	NA	H4TXV01
	E*1P29B	A80UH2V090B16*	14.5	12.5	29,000	21,500	8.5	26,200	3.6	17,000	2.5	1050	3/4	3/8	3/4	3/8	3/4	3/8	NA	H4TXV01
	E*1P36B	A80UH2V090B16*	14.5	12.5	29,000	21,500	8.5	26,200	3.6	17,000	2.5	1050	3/4	3/8	3/4	3/8	3/4	3/8	NA	H4TXV01
	E*1P30C	A80UH2V090C20*	15.0	12.5	28,000	20,700	8.5	26,200	3.6	15,500	2.4	1050	3/4	3/8	3/4	3/8	3/4	3/8	NA	H4TXV01
	E*1P36C	A80UH2V090C20*	15.0	12.5	29,000	21,500	8.5	26,200	3.6	17,000	2.5	1050	3/4	3/8	3/4	3/8	3/4	3/8	NA	H4TXV01

Note:

1. Certified in accordance with Unitary Air Conditioner Certification Program, which is based on AHRI Standard 210/240

2. Required to achieve AHRI rating. If NA (Not Applicable) is in the piston column, then TXV is required.

3. A blower time delay relay is required to achieve AHRI rating. This feature is standard on all Allied Air Enterprises furnace and AH products.

### Cooling Performance with Air Handlers and Furnaces

Outdoor Models	Indoor Model		Cooling				Heating					CFM	Refrigerant Connection				Refrig. Line Size		Indoor Expansion Device	
	Evaporator Coil <sup>3</sup> or Air Handler	Furnaces	SEER	EER	ARI Rated Capacity <sup>1</sup> BTUH	Rated Sensible Capacity BTUH	HSPF	47		17			Outdoor		Indoor		Suction	Liquid	Piston <sup>2</sup>	TXV
								Btuh	COP	Btuh	COP		Suction	Liquid	Suction	Liquid				
4SH14LE130P-6	E*1P29A	A80US2V070A12*	15.0	12.5	29,000	21,500	8.5	26,200	3.6	17,000	2.5	1050	3/4	3/8	3/4	3/8	3/4	3/8	NA	H4TXV01
	E*1P30A	A80US2V070A12*	14.5	12.5	28,000	20,700	8.5	26,200	3.6	15,600	2.4	1050	3/4	3/8	3/4	3/8	3/4	3/8	NA	H4TXV01
	E*1P36A	A80US2V070A12*	15.0	12.5	29,000	21,500	8.5	26,200	3.6	17,000	2.5	1050	3/4	3/8	3/4	3/8	3/4	3/8	NA	H4TXV01
	E*1P29B	A80US2V090B12*	15.0	12.5	29,000	21,500	8.5	26,200	3.6	17,000	2.5	1050	3/4	3/8	3/4	3/8	3/4	3/8	NA	H4TXV01
	E*1P30B	A80US2V090B12*	15.0	12.5	28,000	20,700	8.5	26,200	3.6	15,500	2.4	1050	3/4	3/8	3/4	3/8	3/4	3/8	NA	H4TXV01
	E*1P36B	A80US2V090B12*	15.0	12.5	29,000	21,500	8.5	26,200	3.6	17,000	2.5	1050	3/4	3/8	3/4	3/8	3/4	3/8	NA	H4TXV01
	E*1P29B	A80US2V090B16*	14.5	12.5	29,000	21,500	8.5	26,200	3.6	17,000	2.5	1050	3/4	3/8	3/4	3/8	3/4	3/8	NA	H4TXV01
	E*1P36B	A80US2V090B16*	14.5	12.5	29,000	21,500	8.5	26,200	3.6	17,000	2.5	1050	3/4	3/8	3/4	3/8	3/4	3/8	NA	H4TXV01
	E*1P30C	A80US2V090C20*	15.0	12.5	28,000	20,700	8.5	26,200	3.6	15,500	2.4	1050	3/4	3/8	3/4	3/8	3/4	3/8	NA	H4TXV01
	E*1P36C	A80US2V090C20*	15.0	12.5	29,000	21,500	8.5	26,200	3.6	17,000	2.5	1050	3/4	3/8	3/4	3/8	3/4	3/8	NA	H4TXV01
	E*1P36C	A95DF1E090C16S	14.5	12.5	29,000	21,500	8.5	26,200	3.6	17,000	2.5	1050	3/4	3/8	3/4	3/8	3/4	3/8	NA	H4TXV01
	E*1P29B	A95DF2V045B12S	14.5	12.5	29,000	21,500	8.5	26,200	3.6	17,000	2.5	1050	3/4	3/8	3/4	3/8	3/4	3/8	NA	H4TXV01
	E*1P36B	A95DF2V045B12S	14.5	12.5	29,000	21,500	8.5	26,200	3.6	17,000	2.5	1050	3/4	3/8	3/4	3/8	3/4	3/8	NA	H4TXV01
	E*1P30C	A95DF2V090C20S	14.5	12.0	28,000	20,700	8.5	26,200	3.6	15,600	2.4	1050	3/4	3/8	3/4	3/8	3/4	3/8	NA	H4TXV01
	E*1P36C	A95DF2V090C20S	14.5	12.5	29,000	21,500	8.5	26,200	3.6	17,000	2.5	1050	3/4	3/8	3/4	3/8	3/4	3/8	NA	H4TXV01
	E*1P36C	A95DF2V110C20S	14.5	12.5	29,000	21,500	8.5	26,200	3.6	17,000	2.5	1050	3/4	3/8	3/4	3/8	3/4	3/8	NA	H4TXV01
	E*1P29B	A95UH1E070B12S	14.0	12.0	29,000	21,500	8.5	26,200	3.5	17,000	2.5	1050	3/4	3/8	3/4	3/8	3/4	3/8	NA	H4TXV01
	E*1P30B	A95UH1E070B12S	13.5	11.5	28,000	20,700	8.5	26,200	3.5	15,600	2.3	1050	3/4	3/8	3/4	3/8	3/4	3/8	NA	H4TXV01
	E*1P36B	A95UH1E070B12S	14.0	12.0	29,000	21,500	8.5	26,200	3.5	17,000	2.5	1050	3/4	3/8	3/4	3/8	3/4	3/8	NA	H4TXV01
	E*1P30C	A95UH1E090C16S	14.5	12.0	28,000	20,700	8.5	26,200	3.6	15,600	2.4	1050	3/4	3/8	3/4	3/8	3/4	3/8	NA	H4TXV01
	E*1P36C	A95UH1E090C16S	14.5	12.5	29,000	21,500	8.5	26,200	3.6	17,000	2.5	1050	3/4	3/8	3/4	3/8	3/4	3/8	NA	H4TXV01
	E*1P29B	A95UH2V070B12S	14.5	12.5	29,000	21,500	8.5	26,200	3.6	17,000	2.5	1050	3/4	3/8	3/4	3/8	3/4	3/8	NA	H4TXV01
	E*1P36B	A95UH2V070B12S	14.5	12.5	29,000	21,500	8.5	26,200	3.6	17,000	2.5	1050	3/4	3/8	3/4	3/8	3/4	3/8	NA	H4TXV01
	E*1P30C	A95UH2V090C12S	14.5	12.5	28,000	20,700	8.5	26,200	3.6	15,600	2.4	1050	3/4	3/8	3/4	3/8	3/4	3/8	NA	H4TXV01
	E*1P36C	A95UH2V090C12S	15.0	12.5	29,000	21,500	8.5	26,200	3.6	17,000	2.5	1050	3/4	3/8	3/4	3/8	3/4	3/8	NA	H4TXV01
	E*1P29B	A97DSMV070B12*	14.5	12.5	29,000	21,500	8.5	26,200	3.6	17,000	2.5	1050	3/4	3/8	3/4	3/8	3/4	3/8	NA	H4TXV01
	E*1P30B	A97DSMV070B12*	14.5	12.5	28,000	20,700	8.5	26,200	3.6	15,600	2.4	1050	3/4	3/8	3/4	3/8	3/4	3/8	NA	H4TXV01
	E*1P36B	A97DSMV070B12*	15.0	12.5	29,000	21,500	8.5	26,200	3.6	17,000	2.5	1050	3/4	3/8	3/4	3/8	3/4	3/8	NA	H4TXV01
	E*1P30C	A97DSMV090C16*	14.5	12.5	28,000	20,700	8.5	26,200	3.6	15,600	2.4	1050	3/4	3/8	3/4	3/8	3/4	3/8	NA	H4TXV01

Note:

1. Certified in accordance with Unitary Air Conditioner Certification Program, which is based on AHRI Standard 210/240

2. Required to achieve AHRI rating. If NA (Not Applicable) is in the piston column, then TXV is required.

3. A blower time delay relay is required to achieve AHRI rating. This feature is standard on all Allied Air Enterprises furnace and AH products.

### Cooling Performance with Air Handlers and Furnaces

Outdoor Models	Indoor Model		Cooling				Heating					CFM	Refrigerant Connection				Refrig. Line Size		Indoor Expansion Device	
	Evaporator Coil <sup>3</sup> or Air Handler	Furnaces	SEER	EER	ARI Rated Capacity <sup>1</sup> BTUH	Rated Sensible Capacity BTUH	HSPF	47		17			Outdoor		Indoor		Suction	Liquid	Piston <sup>2</sup>	TXV
								Btuh	COP	Btuh	COP		Suction	Liquid	Suction	Liquid				
4SH14LE130P-6	E*1P36C	A97DSMV090C16*	15.0	12.5	29,000	21,500	8.5	26,200	3.6	17,000	2.5	1050	3/4	3/8	3/4	3/8	3/4	3/8	NA	H4TXV01
	E*1P29B	A97USMV070B12*	15.0	12.5	29,000	21,500	8.5	26,200	3.6	17,000	2.5	1050	3/4	3/8	3/4	3/8	3/4	3/8	NA	H4TXV01
	E*1P30B	A97USMV070B12*	14.5	12.5	28,000	20,700	8.5	26,200	3.6	15,600	2.4	1050	3/4	3/8	3/4	3/8	3/4	3/8	NA	H4TXV01
	E*1P36B	A97USMV070B12*	15.0	12.5	29,000	21,500	8.5	26,200	3.6	17,000	2.5	1050	3/4	3/8	3/4	3/8	3/4	3/8	NA	H4TXV01
	E*1P30C	A97USMV090C12*	15.0	12.5	28,000	20,700	8.5	26,200	3.6	15,600	2.4	1050	3/4	3/8	3/4	3/8	3/4	3/8	NA	H4TXV01
	E*1P36C	A97USMV090C12*	15.0	12.5	29,000	21,500	8.5	26,200	3.6	17,000	2.5	1050	3/4	3/8	3/4	3/8	3/4	3/8	NA	H4TXV01
	E*1P29B	EFV12BC	14.5	12.5	29,000	21,500	8.5	26,200	3.6	17,000	2.5	1050	3/4	3/8	3/4	3/8	3/4	3/8	NA	H4TXV01
	E*1P36B	EFV12BC	14.5	12.5	29,000	21,500	8.5	26,200	3.6	17,000	2.5	1050	3/4	3/8	3/4	3/8	3/4	3/8	NA	H4TXV01
	E*1P30C	EFV16CC	14.5	12.5	28,000	20,700	8.5	26,200	3.6	15,600	2.4	1050	3/4	3/8	3/4	3/8	3/4	3/8	NA	H4TXV01
	E*1P36C	EFV16CC	14.5	12.5	29,000	21,500	8.5	26,200	3.6	17,000	2.5	1050	3/4	3/8	3/4	3/8	3/4	3/8	NA	H4TXV01
	E*1P29B	L83B*1V84/95E14	14.5	12.5	29,000	21,500	8.2	26,000	3.5	17,000	2.5	1050	3/4	3/8	3/4	3/8	3/4	3/8	NA	H4TXV01
	E*1P30B	L83B*1V84/95E14	14.0	12.0	28,000	20,700	8.2	26,000	3.5	15,500	2.4	1050	3/4	3/8	3/4	3/8	3/4	3/8	NA	H4TXV01
	E*1P36B	L83B*1V84/95E14	14.5	12.5	29,000	21,500	8.5	26,200	3.6	17,000	2.5	1050	3/4	3/8	3/4	3/8	3/4	3/8	NA	H4TXV01
	E*1P29B	L83HF1V84/95E12	14.0	12.0	28,800	21,200	8.2	26,200	3.6	17,000	2.5	1050	3/4	3/8	3/4	3/8	3/4	3/8	NA	H4TXV01
	E*1P36B	L83HF1V84/95E12	14.0	12.0	29,000	21,500	8.5	26,200	3.6	17,000	2.5	1050	3/4	3/8	3/4	3/8	3/4	3/8	NA	H4TXV01
	E*1P29B	L83HR1V84/95E12	14.0	12.0	28,800	21,200	8.2	26,200	3.6	17,000	2.5	1050	3/4	3/8	3/4	3/8	3/4	3/8	NA	H4TXV01
	E*1P30B	L83HR1V84/95E12	14.0	12.0	28,000	20,700	8.2	26,000	3.5	15,600	2.4	1050	3/4	3/8	3/4	3/8	3/4	3/8	NA	H4TXV01
	E*1P36B	L83HR1V84/95E12	14.0	12.0	29,000	21,500	8.5	26,200	3.5	17,000	2.5	1050	3/4	3/8	3/4	3/8	3/4	3/8	NA	H4TXV01
	E*1P29B	L83UF1V57/72E12	14.5	12.5	29,000	21,500	8.2	26,000	3.5	17,000	2.5	1050	3/4	3/8	3/4	3/8	3/4	3/8	NA	H4TXV01
	E*1P30B	L83UF1V57/72E12	14.0	12.0	28,000	20,700	8.2	26,000	3.5	15,600	2.4	1050	3/4	3/8	3/4	3/8	3/4	3/8	NA	H4TXV01
	E*1P36B	L83UF1V57/72E12	14.5	12.5	29,000	21,500	8.5	26,200	3.6	17,000	2.5	1050	3/4	3/8	3/4	3/8	3/4	3/8	NA	H4TXV01
	E*1P29B	L83UF1V84/95E14	14.5	12.5	29,000	21,500	8.2	26,000	3.5	17,000	2.5	1050	3/4	3/8	3/4	3/8	3/4	3/8	NA	H4TXV01
	E*1P30B	L83UF1V84/95E14	14.0	12.0	28,000	20,700	8.2	26,000	3.5	15,600	2.3	1050	3/4	3/8	3/4	3/8	3/4	3/8	NA	H4TXV01
	E*1P36B	L83UF1V84/95E14	14.5	12.5	29,000	21,500	8.5	26,200	3.6	17,000	2.5	1050	3/4	3/8	3/4	3/8	3/4	3/8	NA	H4TXV01
4SH14LE136P-6	BCE3M36C****P		14.0	12.0	34,000	25,500	8.2	33,800	3.5	21,800	2.5	1250	7/8	3/8	7/8	3/8	7/8	3/8	NA	H4TXV02
	BCS2M36S00NA1P		15.0	12.5	34,000	25,500	8.5	33,800	3.6	21,600	2.5	1250	7/8	3/8	7/8	3/8	7/8	3/8	NA	H4TXV02
	BCS2M36V00NA1P		15.0	12.5	34,000	25,500	8.5	33,800	3.6	21,600	2.5	1250	7/8	3/8	7/8	3/8	7/8	3/8	NA	H4TXV02
	BCE3M36E****X		15.0	12.5	34,000	25,500	8.5	33,800	3.6	21,600	2.5	1250	7/8	3/8	7/8	3/8	7/8	3/8	NA	FACTORY INSTALLED H4TXV02
	E*1P36B	A80DF1E090B16	14.0	12.0	34,000	25,500	8.5	33,800	3.6	21,200	2.4	1275	7/8	3/8	3/4	3/8	7/8	3/8	NA	H4TXV02
	E*1P43B	A80DF1E090B16	14.0	12.0	34,000	25,500	8.5	33,800	3.6	21,800	2.5	1275	7/8	3/8	7/8	3/8	7/8	3/8	NA	H4TXV02

Note:

1. Certified in accordance with Unitary Air Conditioner Certification Program, which is based on AHRI Standard 210/240
2. Required to achieve AHRI rating. If NA (Not Applicable) is in the piston column, then TXV is required.
3. A blower time delay relay is required to achieve AHRI rating. This feature is standard on all Allied Air Enterprises furnace and AH products.

### Cooling Performance with Air Handlers and Furnaces

Outdoor Models	Indoor Model		Cooling				Heating					CFM	Refrigerant Connection				Refrig. Line Size		Indoor Expansion Device	
	Evaporator Coil <sup>3</sup> or Air Handler	Furnaces	SEER	EER	ARI Rated Capacity <sup>1</sup> BTUH	Rated Sensible Capacity BTUH	HSPF	47		17			Outdoor		Indoor		Suction	Liquid	Piston <sup>2</sup>	TXV
								Btuh	COP	Btuh	COP		Suction	Liquid	Suction	Liquid				
4SH14LE136P-6	E*1P36C	A80DF1E110C20	14.0	12.0	34,000	25,500	8.5	33,800	3.6	21,200	2.4	1275	7/8	3/8	3/4	3/8	7/8	3/8	NA	H4TXV02
	E*1P43C	A80DF1E110C20	14.5	12.5	34,000	25,500	8.5	33,800	3.6	21,800	2.5	1275	7/8	3/8	7/8	3/8	7/8	3/8	NA	H4TXV02
	E*1P43B	A80DF2V090B16*	14.5	12.5	34,000	25,500	8.5	33,800	3.6	21,800	2.5	1250	7/8	3/8	7/8	3/8	7/8	3/8	NA	H4TXV02
	E*1P36C	A80DF2V110C20*	14.5	12.5	34,000	25,500	8.5	33,800	3.6	21,200	2.5	1250	7/8	3/8	3/4	3/8	7/8	3/8	NA	H4TXV02
	E*1P43C	A80DF2V110C20*	14.5	12.5	34,000	25,500	8.5	33,800	3.6	21,800	2.5	1250	7/8	3/8	7/8	3/8	7/8	3/8	NA	H4TXV02
	E*1P43B	A80DS2V090B16*	14.5	12.5	34,000	25,500	8.5	33,800	3.6	21,800	2.5	1250	7/8	3/8	7/8	3/8	7/8	3/8	NA	H4TXV02
	E*1P36C	A80DS2V110C20*	14.5	12.5	34,000	25,500	8.5	33,800	3.6	21,200	2.5	1250	7/8	3/8	3/4	3/8	7/8	3/8	NA	H4TXV02
	E*1P43C	A80DS2V110C20*	14.5	12.5	34,000	25,500	8.5	33,800	3.6	21,800	2.5	1250	7/8	3/8	7/8	3/8	7/8	3/8	NA	H4TXV02
	E*1P36B	A80UH1E090B16*	14.5	12.5	34,000	25,500	8.5	33,800	3.6	21,200	2.5	1250	7/8	3/8	3/4	3/8	7/8	3/8	NA	H4TXV02
	E*1P43B	A80UH1E090B16*	14.5	12.5	34,000	25,500	8.5	33,800	3.6	21,800	2.5	1250	7/8	3/8	7/8	3/8	7/8	3/8	NA	H4TXV02
	E*1P36C	A80UH1E090C20*	14.0	12.0	34,000	25,500	8.5	33,800	3.6	21,200	2.4	1275	7/8	3/8	3/4	3/8	7/8	3/8	NA	H4TXV02
	E*1P43C	A80UH1E090C20*	14.5	12.5	34,000	25,500	8.5	33,800	3.6	21,800	2.5	1275	7/8	3/8	7/8	3/8	7/8	3/8	NA	H4TXV02
	E*1P36C	A80UH1E110C20*	14.0	12.0	34,000	25,500	8.5	33,800	3.6	21,200	2.4	1275	7/8	3/8	3/4	3/8	7/8	3/8	NA	H4TXV02
	E*1P43C	A80UH1E110C20*	14.5	12.5	34,000	25,500	8.5	33,800	3.6	21,800	2.5	1275	7/8	3/8	7/8	3/8	7/8	3/8	NA	H4TXV02
	E*1P36A	A80UH2V070A12*	14.5	12.5	34,000	25,500	8.2	33,800	3.6	21,200	2.5	1250	7/8	3/8	3/4	3/8	7/8	3/8	NA	H4TXV02
	E*1P36B	A80UH2V090B12*	14.5	12.5	34,000	25,500	8.2	33,800	3.6	21,200	2.5	1250	7/8	3/8	3/4	3/8	7/8	3/8	NA	H4TXV02
	E*1P43B	A80UH2V090B12*	14.5	12.5	34,000	25,500	8.5	33,800	3.6	21,800	2.5	1250	7/8	3/8	7/8	3/8	7/8	3/8	NA	H4TXV02
	E*1P36C	A80UH2V090C20*	14.5	12.5	34,000	25,500	8.5	33,800	3.6	21,200	2.5	1250	7/8	3/8	3/4	3/8	7/8	3/8	NA	H4TXV02
	E*1P43C	A80UH2V090C20*	14.5	12.5	34,000	25,500	8.5	33,800	3.6	21,800	2.5	1250	7/8	3/8	7/8	3/8	7/8	3/8	NA	H4TXV02
	E*1P36C	A80UH2V110C20*	14.5	12.5	34,000	25,500	8.5	33,800	3.6	21,200	2.5	1250	7/8	3/8	3/4	3/8	7/8	3/8	NA	H4TXV02
	E*1P43C	A80UH2V110C20*	14.5	12.5	34,000	25,500	8.5	33,800	3.6	21,800	2.5	1250	7/8	3/8	7/8	3/8	7/8	3/8	NA	H4TXV02
	E*1P36A	A80US2V070A12*	14.5	12.5	34,000	25,500	8.2	33,800	3.6	21,200	2.5	1250	7/8	3/8	3/4	3/8	7/8	3/8	NA	H4TXV02
	E*1P36B	A80US2V090B12*	14.5	12.5	34,000	25,500	8.2	33,800	3.6	21,200	2.5	1250	7/8	3/8	3/4	3/8	7/8	3/8	NA	H4TXV02
	E*1P43B	A80US2V090B12*	14.5	12.5	34,000	25,500	8.5	33,800	3.6	21,800	2.5	1250	7/8	3/8	7/8	3/8	7/8	3/8	NA	H4TXV02
	E*1P36C	A80US2V090C20*	14.5	12.5	34,000	25,500	8.5	33,800	3.6	21,200	2.5	1250	7/8	3/8	3/4	3/8	7/8	3/8	NA	H4TXV02
	E*1P43C	A80US2V090C20*	14.5	12.5	34,000	25,500	8.5	33,800	3.6	21,800	2.5	1250	7/8	3/8	7/8	3/8	7/8	3/8	NA	H4TXV02
	E*1P36C	A80US2V110C20*	14.5	12.5	34,000	25,500	8.5	33,800	3.6	21,200	2.5	1250	7/8	3/8	3/4	3/8	7/8	3/8	NA	H4TXV02
	E*1P43C	A80US2V110C20*	14.5	12.5	34,000	25,500	8.5	33,800	3.6	21,800	2.5	1250	7/8	3/8	7/8	3/8	7/8	3/8	NA	H4TXV02
	E*1P36C	A95DF1E110C20S	14.0	12.0	34,000	25,500	8.5	33,800	3.6	21,200	2.4	1275	7/8	3/8	3/4	3/8	7/8	3/8	NA	H4TXV02

Note:

1. Certified in accordance with Unitary Air Conditioner Certification Program, which is based on AHRI Standard 210/240

2. Required to achieve AHRI rating. If NA (Not Applicable) is in the piston column, then TXV is required.

3. A blower time delay relay is required to achieve AHRI rating. This feature is standard on all Allied Air Enterprises furnace and AH products.

### Cooling Performance with Air Handlers and Furnaces

Outdoor Models	Indoor Model		Cooling				Heating					CFM	Refrigerant Connection				Refrig. Line Size		Indoor Expansion Device	
	Evaporator Coil <sup>3</sup> or Air Handler	Furnaces	SEER	EER	ARI Rated Capacity <sup>1</sup> BTUH	Rated Sensible Capacity BTUH	HSPF	47		17			Outdoor		Indoor		Suction	Liquid	Piston <sup>2</sup>	TXV
								Btuh	COP	Btuh	COP		Suction	Liquid	Suction	Liquid				
4SHP14LE136P-6	E*1P43C	A95DF1E110C20S	14.0	12.0	34,000	25,500	8.5	33,800	3.6	21,800	2.5	1275	7/8	3/8	7/8	3/8	7/8	3/8	NA	H4TXV02
	E*1P36C	A95DF2V090C20S	14.5	12.5	34,000	25,500	8.2	33,800	3.6	21,200	2.5	1250	7/8	3/8	3/4	3/8	7/8	3/8	NA	H4TXV02
	E*1P43C	A95DF2V090C20S	14.0	12.5	34,000	25,500	8.5	33,800	3.6	21,800	2.5	1250	7/8	3/8	7/8	3/8	7/8	3/8	NA	H4TXV02
	E*1P43C	A95DF2V110C20S	14.0	12.5	34,000	25,500	8.5	33,800	3.6	21,800	2.5	1275	7/8	3/8	7/8	3/8	7/8	3/8	NA	H4TXV02
	E*1P36C	A95UH1E110C20S	14.0	12.0	34,000	25,500	8.5	33,800	3.6	21,200	2.4	1275	7/8	3/8	3/4	3/8	7/8	3/8	NA	H4TXV02
	E*1P43C	A95UH1E110C20S	14.0	12.0	34,000	25,500	8.5	33,800	3.6	21,800	2.5	1250	7/8	3/8	7/8	3/8	7/8	3/8	NA	H4TXV02
	E*1P36C	A95UH2V090C12S	14.5	12.5	34,000	25,500	8.2	33,800	3.6	21,200	2.5	1250	7/8	3/8	3/4	3/8	7/8	3/8	NA	H4TXV02
	E*1P43C	A95UH2V090C12S	14.5	12.5	34,000	25,500	8.5	33,800	3.6	21,800	2.5	1250	7/8	3/8	7/8	3/8	7/8	3/8	NA	H4TXV02
	E*1P36C	A95UH2V090C16S	14.5	12.5	34,000	25,500	8.5	33,800	3.6	21,200	2.5	1250	7/8	3/8	3/4	3/8	7/8	3/8	NA	H4TXV02
	E*1P43C	A95UH2V090C16S	14.5	12.5	34,000	25,500	8.5	33,800	3.6	21,800	2.5	1250	7/8	3/8	7/8	3/8	7/8	3/8	NA	H4TXV02
	E*1P36C	A95UH2V090C20S	14.5	12.5	34,000	25,500	8.5	33,800	3.6	21,200	2.5	1250	7/8	3/8	3/4	3/8	7/8	3/8	NA	H4TXV02
	E*1P43C	A95UH2V090C20S	14.5	12.5	34,000	25,500	8.5	33,800	3.6	21,800	2.5	1250	7/8	3/8	7/8	3/8	7/8	3/8	NA	H4TXV02
	E*1P36C	A95UH2V110C16S	14.5	12.5	34,000	25,500	8.5	33,800	3.6	21,200	2.5	1250	7/8	3/8	3/4	3/8	7/8	3/8	NA	H4TXV02
	E*1P43C	A95UH2V110C16S	14.5	12.5	34,000	25,500	8.5	33,800	3.6	21,800	2.5	1250	7/8	3/8	7/8	3/8	7/8	3/8	NA	H4TXV02
	E*1P36C	A95UH2V110C20S	14.5	12.5	34,000	25,500	8.5	33,800	3.6	21,200	2.5	1250	7/8	3/8	3/4	3/8	7/8	3/8	NA	H4TXV02
	E*1P43C	A95UH2V110C20S	14.5	12.5	34,000	25,500	8.5	33,800	3.6	21,800	2.5	1250	7/8	3/8	7/8	3/8	7/8	3/8	NA	H4TXV02
	E*1P36C	A97DSMV090C16*	14.5	12.5	34,000	25,500	8.2	33,800	3.6	21,200	2.5	1250	7/8	3/8	3/4	3/8	7/8	3/8	NA	H4TXV02
	E*1P43C	A97DSMV090C16*	14.5	12.5	34,000	25,500	8.5	33,800	3.6	21,800	2.5	1250	7/8	3/8	7/8	3/8	7/8	3/8	NA	H4TXV02
	E*1P36C	A97DSMV090C20*	14.5	12.5	34,000	25,500	8.2	33,800	3.6	21,200	2.5	1250	7/8	3/8	3/4	3/8	7/8	3/8	NA	H4TXV02
	E*1P43C	A97DSMV090C20*	14.5	12.5	34,000	25,500	8.5	33,800	3.6	21,800	2.5	1250	7/8	3/8	7/8	3/8	7/8	3/8	NA	H4TXV02
	E*1P36C	A97DSMV110C20*	14.5	12.5	34,000	25,500	8.2	33,800	3.6	21,200	2.5	1250	7/8	3/8	3/4	3/8	7/8	3/8	NA	H4TXV02
	E*1P43C	A97DSMV110C20*	14.5	12.5	34,000	25,500	8.5	33,800	3.6	21,800	2.5	1250	7/8	3/8	7/8	3/8	7/8	3/8	NA	H4TXV02
	E*1P36C	A97USMV090C12*	14.5	12.5	34,000	25,500	8.2	33,800	3.6	21,200	2.5	1250	7/8	3/8	3/4	3/8	7/8	3/8	NA	H4TXV02
	E*1P43C	A97USMV090C12*	14.5	12.5	34,000	25,500	8.5	33,800	3.6	21,800	2.5	1250	7/8	3/8	7/8	3/8	7/8	3/8	NA	H4TXV02
	E*1P36C	A97USMV090C16*	14.5	12.5	34,000	25,500	8.5	33,800	3.6	21,200	2.5	1250	7/8	3/8	3/4	3/8	7/8	3/8	NA	H4TXV02
	E*1P43C	A97USMV090C16*	14.5	12.5	34,000	25,500	8.5	33,800	3.6	21,800	2.5	1250	7/8	3/8	7/8	3/8	7/8	3/8	NA	H4TXV02
	E*1P36C	A97USMV110C20*	14.5	12.5	34,000	25,500	8.2	33,800	3.6	21,200	2.5	1250	7/8	3/8	3/4	3/8	7/8	3/8	NA	H4TXV02
	E*1P43C	A97USMV110C20*	14.5	12.5	34,000	25,500	8.5	33,800	3.6	21,800	2.5	1250	7/8	3/8	7/8	3/8	7/8	3/8	NA	H4TXV02
	E*1P36B	EFV12BC	14.5	12.5	34,000	25,500	8.5	33,800	3.6	21,200	2.5	1250	7/8	3/8	3/4	3/8	7/8	3/8	NA	H4TXV02

Note:

1. Certified in accordance with Unitary Air Conditioner Certification Program, which is based on AHRI Standard 210/240

2. Required to achieve AHRI rating. If NA (Not Applicable) is in the piston column, then TXV is required.

3. A blower time delay relay is required to achieve AHRI rating. This feature is standard on all Allied Air Enterprises furnace and AH products.

### Cooling Performance with Air Handlers and Furnaces

Outdoor Models	Indoor Model		Cooling				Heating					CFM	Refrigerant Connection				Refrig. Line Size		Indoor Expansion Device	
	Evaporator Coil <sup>3</sup> or Air Handler	Furnaces	SEER	EER	ARI Rated Capacity <sup>1</sup> BTUH	Rated Sensible Capacity BTUH	HSPF	47		17			Outdoor		Indoor		Suction	Liquid	Piston <sup>2</sup>	TXV
								BTUH	COP	BTUH	COP		Suction	Liquid	Suction	Liquid				
4SHP14LE136P-6	E*1P43B	EFV12BC	14.5	12.5	34,000	25,500	8.5	33,800	3.6	21,800	2.5	1250	7/8	3/8	7/8	3/8	7/8	3/8	NA	H4TXV02
	E*1P36C	EFV16CC	15.0	12.5	34,000	25,500	8.5	33,800	3.6	21,000	2.5	1250	7/8	3/8	3/4	3/8	7/8	3/8	NA	H4TXV02
	E*1P43C	EFV16CC	15.0	12.5	34,000	25,500	8.5	33,800	3.6	21,800	2.5	1250	7/8	3/8	7/8	3/8	7/8	3/8	NA	H4TXV02
	E*1P36B	L83B*1V112/125F20	14.0	12.0	34,000	25,500	8.2	33,800	3.6	21,200	2.5	1250	7/8	3/8	3/4	3/8	7/8	3/8	NA	H4TXV02
	E*1P43B	L83B*1V112/125F20	14.0	12.0	34,000	25,500	8.2	33,800	3.6	21,800	2.5	1250	7/8	3/8	7/8	3/8	7/8	3/8	NA	H4TXV02
	E*1P36B	L83UF1V112/125F20	14.0	12.0	34,000	25,500	8.2	33,800	3.6	21,200	2.4	1250	7/8	3/8	3/4	3/8	7/8	3/8	NA	H4TXV02
	E*1P43B	L83UF1V112/125F20	14.0	12.0	34,000	25,500	8.2	33,800	3.6	21,800	2.5	1250	7/8	3/8	7/8	3/8	7/8	3/8	NA	H4TXV02
4SHP14LE142P-6	BCE3M42C****P		14.0	12.0	41,000	30,000	8.2	40,000	3.5	28,800	2.4	1400	7/8	3/8	7/8	3/8	7/8	3/8	NA	H4TXV02
	BCS2M42S00NA1P		15.0	12.5	41,000	30,000	8.5	40,000	3.6	28,000	2.3	1400	7/8	3/8	7/8	3/8	7/8	3/8	NA	H4TXV02
	BCS2M42V00NA1P		15.0	12.5	41,000	30,000	8.5	40,000	3.6	28,000	2.3	1400	7/8	3/8	7/8	3/8	7/8	3/8	NA	H4TXV02
	BCE3M42E****X		15.0	12.5	41,000	30,000	8.5	40,000	3.6	28,000	2.3	1400	7/8	3/8	7/8	3/8	7/8	3/8	NA	FACTORY INSTALLED H4TXV02
	E*1P49C	A80DF1E110C20	15.0	12.5	41,000	30,000	8.5	40,000	3.6	27,200	2.3	1400	7/8	3/8	7/8	3/8	7/8	3/8	NA	H4TXV02
	E*1P49C	A80DF2V110C20*	15.0	12.5	41,000	30,000	8.5	40,000	3.6	27,200	2.3	1400	7/8	3/8	7/8	3/8	7/8	3/8	NA	H4TXV02
	E*1P49C	A80DS2V110C20*	15.0	12.5	41,000	30,000	8.5	40,000	3.6	27,200	2.3	1400	7/8	3/8	7/8	3/8	7/8	3/8	NA	H4TXV02
	E*1P49C	A80UH1E090C20*	15.0	12.5	41,000	30,000	8.5	40,000	3.6	27,200	2.3	1400	7/8	3/8	7/8	3/8	7/8	3/8	NA	H4TXV02
	E*1P49C	A80UH1E110C20*	15.0	12.5	41,000	30,000	8.5	40,000	3.6	27,200	2.3	1400	7/8	3/8	7/8	3/8	7/8	3/8	NA	H4TXV02
	E*1P62D	A80UH1E135D20*	15.0	12.5	41,000	30,000	8.2	40,000	3.6	28,000	2.3	1400	7/8	3/8	7/8	3/8	7/8	3/8	NA	H4TXV02
	E*1P49C	A80UH2V090C20*	15.0	12.5	41,000	30,000	8.5	40,000	3.6	27,200	2.3	1400	7/8	3/8	7/8	3/8	7/8	3/8	NA	H4TXV02
	E*1P49C	A80UH2V110C20*	15.0	12.5	41,000	30,000	8.5	40,000	3.6	27,200	2.3	1400	7/8	3/8	7/8	3/8	7/8	3/8	NA	H4TXV02
	E*1P62D	A80UH2V135D20*	15.0	12.5	41,000	30,000	8.5	40,000	3.6	28,000	2.3	1400	7/8	3/8	7/8	3/8	7/8	3/8	NA	H4TXV02
	E*1P49C	A80US2V090C20*	15.0	12.5	41,000	30,000	8.5	40,000	3.6	27,200	2.3	1400	7/8	3/8	7/8	3/8	7/8	3/8	NA	H4TXV02
	E*1P49C	A80US2V110C20*	15.0	12.5	41,000	30,000	8.5	40,000	3.6	27,200	2.3	1400	7/8	3/8	7/8	3/8	7/8	3/8	NA	H4TXV02
	E*1P62D	A80US2V135D20*	15.0	12.5	41,000	30,000	8.5	40,000	3.6	28,000	2.3	1400	7/8	3/8	7/8	3/8	7/8	3/8	NA	H4TXV02
	E*1P49C	A95DF1E110C20S	15.0	12.5	41,000	30,000	8.5	40,000	3.6	27,200	2.3	1400	7/8	3/8	7/8	3/8	7/8	3/8	NA	H4TXV02
	E*1P49C	A95DF2V090C20S	14.5	12.5	41,000	30,000	8.2	40,000	3.6	27,200	2.3	1400	7/8	3/8	7/8	3/8	7/8	3/8	NA	H4TXV02
	E*1P49C	A95DF2V110C20S	14.5	12.5	41,000	30,000	8.2	40,000	3.6	27,200	2.3	1400	7/8	3/8	7/8	3/8	7/8	3/8	NA	H4TXV02
	E*1P49C	A95UH1E090C16S	14.5	12.5	41,000	30,000	8.2	40,000	3.6	27,200	2.3	1400	7/8	3/8	7/8	3/8	7/8	3/8	NA	H4TXV02
	E*1P49C	A95UH1E110C20S	15.0	12.5	41,000	30,000	8.5	40,000	3.6	27,200	2.3	1400	7/8	3/8	7/8	3/8	7/8	3/8	NA	H4TXV02
	E*1P62D	A95UH1E135D20S	15.0	12.5	41,000	30,000	8.5	40,000	3.6	28,000	2.3	1400	7/8	3/8	7/8	3/8	7/8	3/8	NA	H4TXV02
E*1P49C	A95UH2V090C16S	15.0	12.5	41,000	30,000	8.5	40,000	3.6	27,200	2.3	1400	7/8	3/8	7/8	3/8	7/8	3/8	NA	H4TXV02	

Note:

1. Certified in accordance with Unitary Air Conditioner Certification Program, which is based on AHRI Standard 210/240

2. Required to achieve AHRI rating. If NA (Not Applicable) is in the piston column, then TXV is required.

3. A blower time delay relay is required to achieve AHRI rating. This feature is standard on all Allied Air Enterprises furnace and AH products.

### Cooling Performance with Air Handlers and Furnaces

Outdoor Models	Indoor Model		Cooling				Heating				CFM	Refrigerant Connection				Refrig. Line Size		Indoor Expansion Device		
	Evaporator Coil <sup>3</sup> or Air Handler	Furnaces	SEER	EER	ARI Rated Capacity <sup>1</sup> BTUH	Rated Sensible Capacity BTUH	HSPF	47		17		Outdoor		Indoor		Suction	Liquid	Piston <sup>2</sup>	TXV	
								Btuh	COP	Btuh		COP	Suction	Liquid	Suction					Liquid
4SHP14LE142P-6	E*1P49C	A95UH2V090C20S	15.0	12.5	41,000	30,000	8.5	40,000	3.6	27,200	2.3	1400	7/8	3/8	7/8	3/8	7/8	3/8	NA	H4TXV02
	E*1P49C	A95UH2V110C16S	15.0	12.5	41,000	30,000	8.5	40,000	3.6	27,200	2.3	1400	7/8	3/8	7/8	3/8	7/8	3/8	NA	H4TXV02
	E*1P49C	A95UH2V110C20S	15.0	12.5	41,000	30,000	8.5	40,000	3.6	27,200	2.3	1400	7/8	3/8	7/8	3/8	7/8	3/8	NA	H4TXV02
	E*1P62D	A95UH2V135D20S	15.0	12.5	41,000	30,000	8.5	40,000	3.6	28,000	2.3	1400	7/8	3/8	7/8	3/8	7/8	3/8	NA	H4TXV02
	E*1P49C	A97DSMV090C16*	15.0	12.5	41,000	30,000	8.5	40,000	3.6	27,200	2.3	1400	7/8	3/8	7/8	3/8	7/8	3/8	NA	H4TXV02
	E*1P49C	A97DSMV090C20*	14.5	12.5	41,000	30,000	8.5	40,000	3.6	27,200	2.3	1400	7/8	3/8	7/8	3/8	7/8	3/8	NA	H4TXV02
	E*1P49C	A97DSMV110C20*	15.0	12.5	41,000	30,000	8.5	40,000	3.6	27,200	2.3	1400	7/8	3/8	7/8	3/8	7/8	3/8	NA	H4TXV02
	E*1P49C	A97USMV090C16*	15.0	12.5	41,000	30,000	8.5	40,000	3.6	27,200	2.3	1400	7/8	3/8	7/8	3/8	7/8	3/8	NA	H4TXV02
	E*1P49C	A97USMV090C20*	15.0	12.5	41,000	30,000	8.5	40,000	3.6	27,200	2.3	1400	7/8	3/8	7/8	3/8	7/8	3/8	NA	H4TXV02
	E*1P49C	A97USMV110C20*	15.0	12.5	41,000	30,000	8.5	40,000	3.6	27,200	2.3	1400	7/8	3/8	7/8	3/8	7/8	3/8	NA	H4TXV02
	E*1P62D	A97USMV135D20*	15.0	12.5	41,000	30,000	8.5	40,000	3.6	28,000	2.3	1400	7/8	3/8	7/8	3/8	7/8	3/8	NA	H4TXV02
	E*1P49C	EFV16CC	14.5	12.5	41,000	30,000	8.5	40,000	3.6	27,200	2.3	1400	7/8	3/8	7/8	3/8	7/8	3/8	NA	H4TXV02
	E*1P62D	EFV20DC	15.0	12.5	41,000	30,000	8.2	40,000	3.6	28,000	2.3	1400	7/8	3/8	7/8	3/8	7/8	3/8	NA	H4TXV02
	E*1P49C	L83B*1V112/125F20	14.0	12.0	42,000	30,700	8.2	42,000	3.6	27,200	2.3	1400	7/8	3/8	7/8	3/8	7/8	3/8	NA	H4TXV02
	E*1P49C	L83B*1V84/95E14	14.0	12.0	42,000	30,700	8.2	42,000	3.6	27,200	2.3	1400	7/8	3/8	7/8	3/8	7/8	3/8	NA	H4TXV02
	E*1P49C	L83UF1V112/125F20	14.0	12.0	42,000	30,700	8.2	42,000	3.6	27,200	2.3	1400	7/8	3/8	7/8	3/8	7/8	3/8	NA	H4TXV02
E*1P49C	L83UF1V84/95E14	14.0	12.0	42,000	30,700	8.2	42,000	3.6	27,200	2.3	1400	7/8	3/8	7/8	3/8	7/8	3/8	NA	H4TXV02	
4SHP14LE148P-6	BCE3M48****P		14.0	12.0	47,000	33,900	8.2	46,000	3.4	29,600	2.5	1600	7/8	3/8	7/8	3/8	7/8	3/8	NA	H4TXV02
	BCS2M48S00NA1P		15.0	12.5	47,000	33,900	8.5	45,500	3.3	29,600	2.5	1600	7/8	3/8	7/8	3/8	7/8	3/8	NA	H4TXV02
	BCS2M48V00NA1P		15.0	12.5	47,000	33,900	8.5	45,500	3.3	29,600	2.5	1600	7/8	3/8	7/8	3/8	7/8	3/8	NA	H4TXV02
	BCE3M48E****X		15.0	12.5	47,000	33,900	8.5	45,500	3.3	29,600	2.5	1600	7/8	3/8	7/8	3/8	7/8	3/8	NA	FACTORY INSTALLED H4TXV02
	E*1P49C	A80DF1E110C20	14.5	12.5	47,000	33,900	8.2	46,000	3.5	29,600	2.5	1600	7/8	3/8	7/8	3/8	7/8	3/8	NA	H4TXV02
	E*1P49C	A80DF2V110C20*	15.0	12.5	47,000	33,900	8.5	46,000	3.5	29,600	2.5	1600	7/8	3/8	7/8	3/8	7/8	3/8	NA	H4TXV02
	E*1P49C	A80DS2V110C20*	15.0	12.5	47,000	33,900	8.5	46,000	3.5	29,600	2.5	1600	7/8	3/8	7/8	3/8	7/8	3/8	NA	H4TXV02
	E*1P62D	A80UH1E135D20*	14.5	12.5	47,000	33,900	8.2	46,000	3.5	29,600	2.5	1600	7/8	3/8	7/8	3/8	7/8	3/8	NA	H4TXV02
	E*1P49C	A80UH2V090C20*	14.5	12.5	47,000	33,900	8.2	46,000	3.5	29,600	2.5	1600	7/8	3/8	7/8	3/8	7/8	3/8	NA	H4TXV02
	E*1P49C	A80UH2V110C20*	14.5	12.5	47,000	33,900	8.2	46,000	3.5	29,600	2.5	1600	7/8	3/8	7/8	3/8	7/8	3/8	NA	H4TXV02
	E*1P62D	A80UH2V135D20*	14.5	12.5	47,000	33,900	8.2	46,000	3.5	29,600	2.5	1600	7/8	3/8	7/8	3/8	7/8	3/8	NA	H4TXV02
	E*1P49C	A80US2V090C20*	14.5	12.5	47,000	33,900	8.2	46,000	3.5	29,600	2.5	1600	7/8	3/8	7/8	3/8	7/8	3/8	NA	H4TXV02
	E*1P49C	A80US2V110C20*	14.5	12.5	47,000	33,900	8.2	46,000	3.5	29,600	2.5	1600	7/8	3/8	7/8	3/8	7/8	3/8	NA	H4TXV02

Note:

1. Certified in accordance with Unitary Air Conditioner Certification Program, which is based on AHRI Standard 210/240

2. Required to achieve AHRI rating. If NA (Not Applicable) is in the piston column, then TXV is required.

3. A blower time delay relay is required to achieve AHRI rating. This feature is standard on all Allied Air Enterprises furnace and AH products.



### Cooling Performance with Air Handlers and Furnaces

Outdoor Models	Indoor Model		Cooling				Heating					CFM	Refrigerant Connection				Refrig. Line Size		Indoor Expansion Device	
	Evaporator Coil <sup>3</sup> or Air Handler	Furnaces	SEER	EER	ARI Rated Capacity <sup>1</sup> BTUH	Rated Sensible Capacity BTUH	HSPF	47		17			Outdoor		Indoor		Suction	Liquid	Piston <sup>2</sup>	TXV
								Btuh	COP	Btuh	COP		Suction	Liquid	Suction	Liquid				
4SHP14LE148P-6	E*1P62D	A80US2V135D20*	14.5	12.5	47,000	33,900	8.2	46,000	3.5	29,600	2.5	1600	7/8	3/8	7/8	3/8	7/8	3/8	NA	H4TXV02
	E*1P49C	A95DF1E110C20S	14.5	12.5	47,000	33,900	8.2	46,000	3.5	29,600	2.5	1600	7/8	3/8	7/8	3/8	7/8	3/8	NA	H4TXV02
	E*1P49C	A95UH2V110C16S	14.5	12.5	47,000	33,900	8.2	46,000	3.5	29,600	2.5	1600	7/8	3/8	7/8	3/8	7/8	3/8	NA	H4TXV02
	E*1P62D	A95UH2V135D20S	14.5	12.5	47,000	33,900	8.2	46,000	3.5	29,600	2.5	1600	7/8	3/8	7/8	3/8	7/8	3/8	NA	H4TXV02
	E*1P49C	A97USMV090C16*	14.5	12.5	47,000	33,900	8.2	46,000	3.5	29,600	2.5	1600	7/8	3/8	7/8	3/8	7/8	3/8	NA	H4TXV02
	E*1P49C	A97USMV090C20*	14.5	12.5	47,000	33,900	8.2	46,000	3.5	29,600	2.5	1600	7/8	3/8	7/8	3/8	7/8	3/8	NA	H4TXV02
	E*1P49C	A97USMV110C20*	14.5	12.5	47,000	33,900	8.2	46,000	3.5	29,600	2.5	1600	7/8	3/8	7/8	3/8	7/8	3/8	NA	H4TXV02
	E*1P62D	A97USMV135D20*	14.5	12.5	47,000	33,900	8.2	46,000	3.5	29,600	2.5	1600	7/8	3/8	7/8	3/8	7/8	3/8	NA	H4TXV02
	E*1P49C	L83B*1V112/125F20	14.0	12.0	47,000	33,900	8.2	46,000	3.5	29,600	2.5	1600	7/8	3/8	7/8	3/8	7/8	3/8	NA	H4TXV02
4SHP14LE160P-6	BCE3M60C****P		14.0	12.0	57,000	41,600	8.2	55,000	3.4	36,000	2.5	1900	7/8	3/8	7/8	3/8	1 1/8	3/8	NA	H4TXV03
	BCS2M60S00NA1P		15.0	12.5	57,000	41,600	8.5	55,000	3.5	36,000	2.5	1800	7/8	3/8	7/8	3/8	1 1/8	3/8	NA	H4TXV03
	BCS2M60V00NA1P		15.0	12.5	57,000	41,600	8.5	55,000	3.5	36,000	2.5	1800	7/8	3/8	7/8	3/8	1 1/8	3/8	NA	H4TXV03
	BCE3M60E****X		15.0	12.5	57,000	41,600	8.5	55,000	3.5	36,000	2.5	1800	7/8	3/8	7/8	3/8	1 1/8	3/8	NA	FACTORY INSTALLED H4TXV03

Note:

1. Certified in accordance with Unitary Air Conditioner Certification Program, which is based on AHRI Standard 210/240
2. Required to achieve AHRI rating. If NA (Not Applicable) is in the piston column, then TXV is required.
3. A blower time delay relay is required to achieve AHRI rating. This feature is standard on all Allied Air Enterprises furnace and AH products.

### Cooling Performance Extended Ratings

Outdoor Model	Indoor Model	Indoor Temp DB/WB °F	Outdoor Temp - DB °F														
			65°			82°			95°			105°			115°		
			Btuh	S/T	kW	Btuh	S/T	kW	Btuh	S/T	kW	Btuh	S/T	kW	Btuh	S/T	kW
4SHP14LE118P-6	BCS3M19	85/72	21,000	0.61	1.14	20,000	0.65	1.34	19,300	0.68	1.50	17,900	0.72	1.67	16,400	0.75	1.84
		80/67	19,800	0.69	1.13	18,800	0.72	1.34	18,000	0.75	1.50	16,300	0.80	1.67	14,700	0.85	1.84
		75/63	18,900	0.72	1.13	17,200	0.77	1.34	15,900	0.81	1.50	14,400	0.87	1.67	12,800	0.92	1.84
		75/57	17,200	1.00	1.11	16,700	1.00	1.31	16,000	1.00	1.47	14,500	1.00	1.64	13,100	1.00	1.80
4SHP14LE124P-6	BCS3M24	85/72	30,200	0.61	1.48	27,700	0.64	1.75	25,700	0.66	1.95	24,200	0.68	2.20	22,700	0.69	2.44
		80/67	27,600	0.69	1.47	25,200	0.71	1.74	23,400	0.73	1.95	22,100	0.75	2.19	20,700	0.77	2.42
		75/63	25,100	0.72	1.47	23,300	0.74	1.74	21,800	0.76	1.95	20,500	0.78	2.19	19,100	0.80	2.43
		75/57	24,000	1.00	1.44	22,400	1.00	1.71	20,800	1.00	1.91	19,700	1.00	2.15	18,400	1.00	2.37
4SHP14LE130P-6	BCS3M30	85/72	35,800	0.62	1.88	33,600	0.64	2.19	31,900	0.66	2.43	30,200	0.68	2.72	28,400	0.70	3.00
		80/67	33,500	0.69	1.86	31,000	0.72	2.18	29,000	0.74	2.42	27,600	0.76	2.70	26,200	0.78	2.99
		75/63	31,300	0.72	1.84	29,000	0.75	2.17	27,300	0.77	2.42	25,700	0.79	2.70	24,100	0.81	2.98
		75/57	29,100	1.00	1.82	27,600	1.00	2.14	25,800	1.00	2.37	24,600	1.00	2.65	23,300	1.00	2.93
4SHP14LE136P-6	BCS3M36	85/72	39,700	0.61	2.21	38,100	0.64	2.59	36,900	0.67	2.89	34,600	0.70	3.21	32,400	0.73	3.54
		80/67	37,800	0.69	2.20	36,000	0.72	2.59	34,600	0.75	2.88	31,900	0.79	3.21	29,300	0.83	3.53
		75/63	36,100	0.73	2.20	33,300	0.77	2.58	31,100	0.80	2.87	29,000	0.83	3.19	26,800	0.85	3.51
		75/57	32,900	1.00	2.16	32,000	1.00	2.54	30,800	1.00	2.82	28,400	1.00	3.15	26,100	1.00	3.46
4SHP14LE142P-6	BCS3M42	85/72	50,600	0.60	2.66	47,800	0.63	3.14	45,700	0.65	3.51	42,800	0.67	3.92	39,900	0.69	4.33
		80/67	48,200	0.68	2.66	44,700	0.71	3.13	42,000	0.73	3.50	39,500	0.75	3.91	37,000	0.77	4.33
		75/63	44,200	0.72	2.64	41,300	0.74	3.12	39,200	0.75	3.49	36,600	0.77	3.89	34,000	0.79	4.30
		75/57	41,900	1.00	2.61	39,800	1.00	3.07	37,400	1.00	3.43	35,200	1.00	3.83	32,900	1.00	4.24
4SHP14LE148P-6	BCS3M48	85/72	51,900	0.62	2.95	51,400	0.64	3.55	51,000	0.65	4.00	48,400	0.68	4.47	45,800	0.70	4.93
		80/67	49,800	0.68	2.95	48,800	0.70	3.55	48,000	0.72	4.00	45,500	0.75	4.45	42,900	0.77	4.90
		75/63	47,900	0.71	2.95	45,600	0.74	3.53	43,800	0.77	3.98	40,800	0.82	4.43	37,900	0.86	4.88
		75/57	43,300	1.00	2.89	43,400	1.00	3.48	42,700	1.00	3.92	40,500	1.00	4.36	38,200	1.00	4.80
4SHP14LE160P-6	BCS3M60	85/72	72,000	0.62	3.68	66,300	0.65	4.34	62,000	0.67	4.85	58,000	0.69	5.47	54,000	0.71	6.09
		80/67	65,800	0.68	3.64	61,400	0.71	4.32	58,000	0.73	4.83	54,000	0.77	5.45	50,000	0.80	6.07
		75/63	60,800	0.71	3.60	56,200	0.74	4.29	52,700	0.76	4.81	49,400	0.78	5.43	46,100	0.80	6.04
		75/57	57,200	1.00	3.57	54,600	1.00	4.23	51,600	1.00	4.73	48,100	1.00	5.34	44,500	1.00	5.95

Note:  
Extended data shown is actual for models listed and typical for all AHRI matches.

### Heating Performance Extended Ratings

Outdoor Model	Indoor Model	Outdoor Temp. DB/WB °F									
		0/0		17/15		35/33		47/43		62/56	
		Btuh	kW	Btuh	kW	Btuh	kW	Btuh	kW	Btuh	kW
4SHP14LE118P-6	BCS3M19	4,300	1.26	10,500	1.36	14,800	1.47	17,400	1.50	21,400	1.54
4SHP14LE124P-6	BCS3M24	5,800	1.54	14,000	1.78	18,700	1.83	22,000	1.90	26,900	2.00
4SHP14LE130P-6	BCS3M30	7,800	1.76	17,000	1.99	22,600	2.19	26,200	2.26	31,600	2.36
4SHP14LE136P-6	BCS3M36	9,700	2.20	21,600	2.53	29,700	2.80	34,600	2.90	41,900	3.04
4SHP14LE142P-6	BCS3M42	12,700	3.14	28,800	3.52	36,000	3.42	42,000	3.52	51,000	3.66
4SHP14LE148P-6	BCS3M48	14,100	2.85	29,600	3.47	40,300	3.83	46,500	4.01	55,800	4.28
4SHP14LE160P-6	BCS3M60	18,000	3.37	36,000	4.22	48,000	4.78	55,000	5.04	65,500	5.43

Note:

All ratings are at indoor temperature of 70 °F

Extended data shown is actual for models listed and typical for all AHRI matches.

## Accessories

Kit Number	Description	Used with
54M89	Low Ambient Kit	All SHP14's
93M04	Crank Case Heater	18, 24, 30, 36
93M05	Crank Case Heater	42, 48, 60
10J42	Hard Start Kit	18
88M91	Hard Start Kit	24, 30, 36, 42, 48, 60
AFOSL500	Fossil Fuel Kit, 2-stage compatible	All SHP14's
H4TXV01	TXV Kit	18,24,30
H4TXV02	TXV Kit	36,42,48
H4TXV03	TXV Kit	60



1-800-448-5872

All specifications and illustrations subject to change without notice and without incurring obligations.