

4SCU14LE

PRODUCT SPECIFICATIONS

14 SEER SPLIT SYSTEM AIR CONDITIONING

FORM NO. 4SCU14LE-100 (04/2014)



DESIGN

- Designed for ambients up to 125°F

ACCESSORIES

- Low ambient control
- TXV kits
- Crankcase heater
- Hard start kits

WARRANTY

10 year limited warranty on compressor, 10 year limited warranty on all parts, extended warranty available*

**Warranty provides for a total of 10 years of limited warranty coverage (Standard 5-year limited parts warranty plus an additional 5-year limited extended parts warranty). Warranty must be registered online within 60 days of installation to qualify for 10-year coverage.*

Unregistered equipment defaults to 5-year coverage. Lifetime limited heat exchanger warranty applies to registered equipment only

(Standard 20 years with no online registration). See full warranty at www.alliedair.com for terms, conditions and exclusions.

COMPRESSOR

- High-efficiency scroll compressor
- R410a refrigerant
- Grommet-mounted compressor for quiet operation
- Protected against high temperature motor overload conditions
- Heavy-duty compressor sound blanket for quiet operation
- Short cycle protection

CABINET

- Full metal louvered panel coil guard protection, that is easily removed for coil cleaning
- Controls located in corner for easy installation and service
- Rounded corners for safety and attractive, clean appearance
- Baked polyester paint finish over galvanized steel for maximum durability
- PVC-coated wire fan discharge grille
- External gauge ports for easy service

COMPONENTS

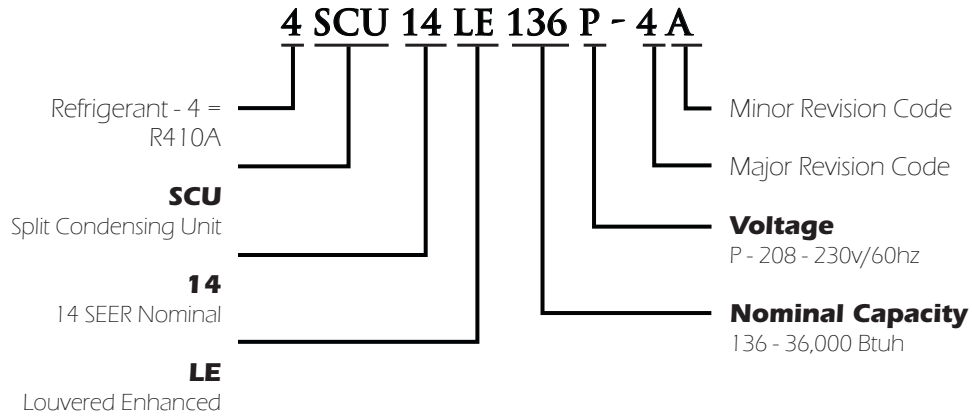
- Filter drier shipped loose for installation flexibility
- Service valves positioned for quick installation and easy service
- Charged for 15 ft. of line set
- Trade available components
- High and low pressure switches factory installed
- Sealed contactor with lugs

COIL

- Enhanced aluminum fins and copper tubing for high efficiency and capacity
- Raised coil prevents debris from collecting in bottom of coil and causing loss of airflow



Model Number Guide



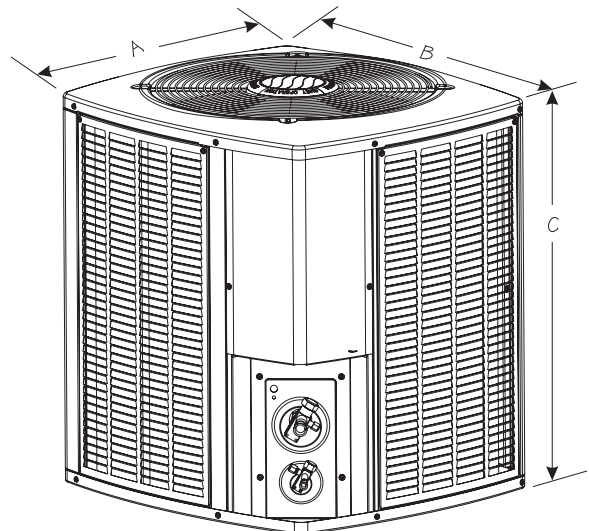
Electrical and Physical Data

Model	Voltage/ Hz/ Phase	Voltage Range	Min. Circuit Amp.	Maximum Over Current Device (amps)	Compressor		Outdoor Fan Motor			Refrig. Charge (oz.):	Shipping Weight (lbs.)
					Rated Load (Amps)	Locked Rotor (Amps)	Rated Load (amps)	Rated HP	Nom. RPM		
4SCU14LE118P-4	208-230/60/1	197-253	12.0	20	9.0	48	0.7	1/10	1075	91	138
4SCU14LE124P-4	208-230/60/1	197-253	18.7	30	13.4	58	1.1	1/6	825	92	146
4SCU14LE130P-4	208-230/60/1	197-253	17.2	30	12.9	64	1.1	1/6	825	107	172
4SCU14LE136P-4	208-230/60/1	197-253	18.7	30	14.1	77	1.1	1/6	825	107	177
4SCU14LE141P-4	208-230/60/1	197-253	22.8	35	16.7	79	1.7	1/4	825	161	210
4SCU14LE142P-4	208-230/60/1	197-253	24.1	40	17.9	112	1.7	1/4	825	138	208
4SCU14LE147P-4	208-230/60/1	197-253	26.7	45	19.9	109	1.8	1/3	825	179	251
4SCU14LE148P-4	208-230/60/1	197-253	27.9	45	19.8	109	1.7	1/4	825	174	220
4SCU14LE159P-4	208-230/60/1	197-253	34.1	50	25.0	134	2.8	1/3	825	178	235
4SCU14LE160P-4	208-230/60/1	197-253	34.8	60	26.4	134	1.8	1/3	825	192	253

Note:
Weights listed are unit weights with packaging
+ Factory charged for 15 feet of line set. Adjust per installation instructions.

Dimensions (in.) and Sound Ratings

Model	Dimensions			Sound Rating (dBA)
	A - width (in.)	B - depth (in.)	C - height (in.)	
4SCU14LE118P-4	24.75	26.75	29.75	76
4SCU14LE124P-4	29.38	31.25	29.75	76
4SCU14LE130P-4	29.38	31.25	37.75	76
4SCU14LE136P-4	29.38	31.25	37.75	76
4SCU14LE141P-4	29.38	31.25	37.75	76
4SCU14LE142P-4	29.38	31.25	29.75	80
4SCU14LE147P-4	29.38	31.25	37.75	80
4SCU14LE148P-4	29.38	31.25	33.75	80
4SCU14LE159P-4	35.75	37.75	37.75	78
4SCU14LE160P-4	35.75	37.75	37.75	80



Note:
Dimensions listed are unit sizes w/o packaging

Cooling Performance with Evaporator Coils

Outdoor Model	Indoor Model	SEER	EER	AHRI Rated Capacity ¹ BTUH	Rated Sensible Capacity	CFM	Refrigerant Connection				Refrigerant Line Size		Indoor Expansion Device	
	Evaporator Coil ³						Outdoor		Indoor		Suction	Liquid	Piston ²	TXV
							Suction	Liquid	Suction	Liquid				
4SCU14LE118P-4	E*1P23(A,B)+TDR	14.00	12.00	18,000	12,600	650	3/4	3/8	3/4	3/8	3/4	3/8	0.053	A4TXV01
	E*1P29(A,B)+TDR	14.00	12.00	18,000	12,600	650	3/4	3/8	3/4	3/8	3/4	3/8	0.053	A4TXV01
4SCU14LE124P-4	E*1P23(A,B)+TDR	14.00	11.50	23,000	17,000	850	3/4	3/8	3/4	3/8	3/4	3/8	0.057	A4TXV01
	E*1P24(A,B)+TDR	14.00	11.50	23,000	17,000	850	3/4	3/8	3/4	3/8	3/4	3/8	0.057	A4TXV01
	E*1P29(A,B)+TDR	14.00	11.50	23,000	17,000	850	3/4	3/8	3/4	3/8	3/4	3/8	0.057	A4TXV01
	E*1P30(B,C)+TDR	14.00	11.50	23,000	17,000	850	3/4	3/8	3/4	3/8	3/4	3/8	0.057	A4TXV01
	E*1P36(B,C)+TDR	14.00	11.50	23,000	17,000	850	3/4	3/8	3/4	3/8	3/4	3/8	0.057	A4TXV01
4SCU14LE130P-4	E*1P29(A,B)+TDR	14.00	12.00	28,000	21,500	1000	3/4	3/8	3/4	3/8	3/4	3/8	0.065	A4TXV01
	E*1P36(B,C)+TDR	14.00	12.00	28,000	21,500	1000	3/4	3/8	3/4	3/8	3/4	3/8	0.065	A4TXV01
	E*1P43(B,C)+TDR	13.50	11.00	28,000	21,500	1000	3/4	3/8	3/4	3/8	3/4	3/8	0.065	A4TXV01
4SCU14LE136P-4	E*1P36(B,C)+TDR	14.00	12.00	34,000	24,800	1200	7/8	3/8	7/8	3/8	7/8	3/8	0.071	A4TXV01
	E*1P43(B,C)+TDR	14.00	11.50	34,000	24,800	1200	7/8	3/8	7/8	3/8	7/8	3/8	0.071	A4TXV01
	E*1P49C+TDR	14.00	11.50	34,000	24,800	1200	7/8	3/8	7/8	3/8	7/8	3/8	0.071	A4TXV01
	E*1P49C+A4TXV02+TDR	14.00	12.00	38,000	30,000	1400	7/8	3/8	7/8	3/8	7/8	3/8	0.074	A4TXV02
4SCU14LE141P-4	E*1P62C+A4TXV02+TDR	14.00	12.00	38,000	30,000	1400	7/8	3/8	7/8	3/8	7/8	3/8	0.074	A4TXV02
	E*1P49C+TDR	14.00	11.50	40,000	30,300	1400	7/8	3/8	7/8	3/8	7/8	3/8	0.076	A4TXV02
4SCU14LE142P-4	E*1P62C+TDR	14.00	11.50	40,000	30,300	1400	7/8	3/8	7/8	3/8	7/8	3/8	0.076	A4TXV02
	E*1P49C+A4TXV02+TDR	15.10	12.50	47,000	34,800	1600	7/8	3/8	7/8	3/8	7/8	3/8	0.080	A4TXV02
4SCU14LE147P-4	E*1P62C+A4TXV02+TDR	15.10	12.50	47,000	34,800	1600	7/8	3/8	7/8	3/8	7/8	3/8	0.080	A4TXV02
	E*1P62D+A4TXV02+TDR	15.10	12.50	47,000	34,800	1600	7/8	3/8	7/8	3/8	7/8	3/8	0.080	A4TXV02
	E*1P49C+TDR	14.00	12.00	46,500	35,300	1600	7/8	3/8	7/8	3/8	7/8	3/8	0.083	A4TXV02
4SCU14LE148P-4	E*1P62C+TDR	14.00	12.00	46,500	35,300	1600	7/8	3/8	7/8	3/8	7/8	3/8	0.083	A4TXV02
	E*1P62D+TDR	14.00	12.00	46,500	35,300	1600	7/8	3/8	7/8	3/8	7/8	3/8	0.083	A4TXV02
	E*1P62C+TDR	14.00	12.00	57,000	41,000	1800	7/8	3/8	7/8	3/8	1 1/8	3/8	0.093	A4TXV02
	E*1P62D+TDR	14.00	12.00	57,000	41,000	1800	7/8	3/8	7/8	3/8	1 1/8	3/8	0.093	A4TXV02
4SCU14LE159P-4	E*1P62C+TDR	14.00	12.00	58,000	41,800	1800	1 1/8	3/8	7/8	3/8	1 1/8	3/8	0.093	A4TXV02
	E*1P62D+TDR	13.50	11.50	57,000	41,800	1800	1 1/8	3/8	7/8	3/8	1 1/8	3/8	0.093	A4TXV02
4SCU14LE160P-4	E*1P62C+TDR	14.00	12.00	58000	41800	1800	1 1/8	3/8	7/8	3/8	1 1/8	3/8	0.093	A4TXV02
	E*1P62D+TDR	13.50	11.50	57000	41000	1800	1 1/8	3/8	7/8	3/8	1 1/8	3/8	0.093	A4TXV02

Note:

¹ Certified in accordance with Unitary Air Conditioner Certification Program, which is based on AHRI Standard 210/240

² Required to achieve AHRI rating. If NA (Not Applicable) is in the piston column, then TXV is required.

³ A blower time delay relay is required to achieve AHRI rating. This feature is standard on all Allied Air Enterprises furnace and AH products.

Cooling Performance with Air Handlers and Furnaces 18

Outdoor Model	Indoor Model	Variable Speed Furnace	SEER	EER	Rated ARI Capacity ¹ BTUH	Rated Sensible Capacity BTUH	CFM	Refrigerant Connection				Refrigerant Line Size		Indoor Expansion Device		
	Evaporator Coil or Air Handler ³							Outdoor		Indoor		Suction	Liquid	Piston ²	TXV	
								Suction	Liquid	Suction	Liquid					
4SCU14LE118P-4	BCE3M18C****P		14.00	12.00	18000	12600	650	3/4	3/8	3/4	3/8	3/4	3/8	0.053	A4TXV01	
	BCS2M24S00NA1P		15.10	12.50	18000	12600	650	3/4	3/8	3/4	3/8	3/4	3/8	0.053	A4TXV01	
	BCS2M24V00NA1P		15.10	12.50	18000	12600	650	3/4	3/8	3/4	3/8	3/4	3/8	0.053	A4TXV01	
	BCE3M24E****X		15.1	12.5	18000	12600	650	3/4	3/8	3/4	3/8	3/4	3/8	NA	FACTORY INSTALLED A4TXV01	
	E*1P23B	EFV08BC		15.10	12.50	18000	12600	650	3/4	3/8	3/4	3/8	3/4	3/8	0.053	A4TXV01
	E*1P23B	A97USMV070B12		16.00	13.00	18800	12600	700	3/4	3/8	3/4	3/8	3/4	3/8	0.053	A4TXV01
	E*1P23B	A97DSMV070B12		15.10	12.50	18000	12600	650	3/4	3/8	3/4	3/8	3/4	3/8	0.053	A4TXV01
	E*1P23B	A95UH2V070B12		16.00	13.00	18300	12600	680	3/4	3/8	3/4	3/8	3/4	3/8	0.053	A4TXV01
	E*1P23B	A95UH2V045B12		15.10	12.50	18000	12600	650	3/4	3/8	3/4	3/8	3/4	3/8	0.053	A4TXV01
	E*1P23B	A95UH2E070B12		15.10	12.50	18000	12600	650	3/4	3/8	3/4	3/8	3/4	3/8	0.053	A4TXV01
	E*1P23B	A95UH2E045B12		15.10	12.50	18000	12600	650	3/4	3/8	3/4	3/8	3/4	3/8	0.053	A4TXV01
	E*1P23B	A95UH1E070B12		15.10	12.50	18000	12600	650	3/4	3/8	3/4	3/8	3/4	3/8	0.053	A4TXV01
	E*1P23B	A95UH1E045B12		16.00	13.00	18000	12600	650	3/4	3/8	3/4	3/8	3/4	3/8	0.053	A4TXV01
	E*1P23B	A95DF2V045B12		15.10	12.50	18000	12600	650	3/4	3/8	3/4	3/8	3/4	3/8	0.053	A4TXV01
	E*1P23B	A95DF2E070B16		15.10	12.50	18000	12600	650	3/4	3/8	3/4	3/8	3/4	3/8	0.053	A4TXV01
	E*1P23B	A95DF1E045B12		15.10	12.50	18000	12600	650	3/4	3/8	3/4	3/8	3/4	3/8	0.053	A4TXV01
	E*1P23B	A80US2V090B16		15.10	12.50	18000	12600	650	3/4	3/8	3/4	3/8	3/4	3/8	0.053	A4TXV01
	E*1P23B	A80US2V090B12		14.50	12.00	18000	12600	650	3/4	3/8	3/4	3/8	3/4	3/8	0.053	A4TXV01
	E*1P23A	A80US2V070A12		15.10	12.50	18000	12600	650	3/4	3/8	3/4	3/8	3/4	3/8	0.053	A4TXV01
	E*1P23B	A80UH1E070B12		15.10	12.50	18000	12600	650	3/4	3/8	3/4	3/8	3/4	3/8	0.053	A4TXV01
	E*1P23A	A80UH1E045A12		15.10	12.50	18000	12600	650	3/4	3/8	3/4	3/8	3/4	3/8	0.053	A4TXV01
	E*1P23A	A80DS2V070A12		15.10	12.50	18000	12600	650	3/4	3/8	3/4	3/8	3/4	3/8	0.053	A4TXV01
	E*1P23A	A80DF2V070A12		15.10	12.50	18000	12600	650	3/4	3/8	3/4	3/8	3/4	3/8	0.053	A4TXV01
	E*1P23B	A80DF1E070B12		15.10	12.50	18000	12600	650	3/4	3/8	3/4	3/8	3/4	3/8	0.053	A4TXV01
	E*1P23A	A80DF1E045A12		15.10	12.50	18000	12600	650	3/4	3/8	3/4	3/8	3/4	3/8	0.053	A4TXV01
	E*1P23B	L83HF1V84/95E12		15.10	12.50	18000	12600	650	3/4	3/8	3/4	3/8	3/4	3/8	0.053	A4TXV01
	E*1P23B	L83HR1V84/95E12		14.50	12.00	18000	12600	650	3/4	3/8	3/4	3/8	3/4	3/8	0.053	A4TXV01
	E*1P23B	L83UF1V57/72E12		15.10	12.50	18000	12600	650	3/4	3/8	3/4	3/8	3/4	3/8	0.053	A4TXV01
	E*1P29B	EFV08BC		15.10	12.50	18000	12600	650	3/4	3/8	3/4	3/8	3/4	3/8	0.053	A4TXV01
	E*1P29B	A97USMV070B12		16.00	13.00	18000	12600	650	3/4	3/8	3/4	3/8	3/4	3/8	0.053	A4TXV01
E*1P29B	A97DSMV070B12		15.10	12.50	18000	12600	650	3/4	3/8	3/4	3/8	3/4	3/8	0.053	A4TXV01	

Note:

¹ Certified in accordance with Unitary Air Conditioner Certification Program, which is based on AHRI Standard 210/240

² Required to achieve AHRI rating. If NA (Not Applicable) is in the piston column, then TXV is required.

³ A blower time delay relay is required to achieve AHRI rating. This feature is standard on all Allied Air Enterprises furnace and AH products.

Cooling Performance with Air Handlers and Furnaces 18

Outdoor Model	Indoor Model	Variable Speed Furnace	SEER	EER	Rated ARI Capacity ¹ BTUH	Rated Sensible Capacity BTUH	CFM	Refrigerant Connection				Refrigerant Line Size		Indoor Expansion Device	
	Evaporator Coil or Air Handler ³							Outdoor		Indoor		Suction	Liquid	Piston ²	TXV
								Suction	Liquid	Suction	Liquid				
4SCU14LE118P-4	E*1P29B	A95UH2V070B12	16.00	13.00	18000	12600	650	3/4	3/8	3/4	3/8	3/4	3/8	0.053	A4TXV01
	E*1P29B	A95UH2V045B12	15.10	12.50	18000	12600	650	3/4	3/8	3/4	3/8	3/4	3/8	0.053	A4TXV01
	E*1P29B	A95UH2E070B12	15.10	12.50	18000	12600	650	3/4	3/8	3/4	3/8	3/4	3/8	0.053	A4TXV01
	E*1P29B	A95UH2E045B12	15.10	12.50	18000	12600	650	3/4	3/8	3/4	3/8	3/4	3/8	0.053	A4TXV01
	E*1P29B	A95UH1E070B12	14.50	12.00	18000	12600	650	3/4	3/8	3/4	3/8	3/4	3/8	0.053	A4TXV01
	E*1P29B	A95UH1E045B12	16.00	13.00	18000	12600	650	3/4	3/8	3/4	3/8	3/4	3/8	0.053	A4TXV01
	E*1P29B	A95DF2V045B12	15.10	12.50	18000	12600	650	3/4	3/8	3/4	3/8	3/4	3/8	0.053	A4TXV01
	E*1P29B	A95DF2E070B16	15.10	12.50	18000	12600	650	3/4	3/8	3/4	3/8	3/4	3/8	0.053	A4TXV01
	E*1P29B	A95DF2E045B12	15.10	12.50	18000	12600	650	3/4	3/8	3/4	3/8	3/4	3/8	0.053	A4TXV01
	E*1P29B	A95DF1E045B12	15.10	12.50	18000	12600	650	3/4	3/8	3/4	3/8	3/4	3/8	0.053	A4TXV01
	E*1P29B	A80US2V090B16	15.10	12.50	18000	12600	650	3/4	3/8	3/4	3/8	3/4	3/8	0.053	A4TXV01
	E*1P29B	A80US2V090B12	15.10	12.50	18000	12600	650	3/4	3/8	3/4	3/8	3/4	3/8	0.053	A4TXV01
	E*1P29A	A80US2V070A12	15.10	12.50	18000	12600	650	3/4	3/8	3/4	3/8	3/4	3/8	0.053	A4TXV01
	E*1P29B	A80UH1E070B12	14.50	12.00	18000	12600	650	3/4	3/8	3/4	3/8	3/4	3/8	0.053	A4TXV01
	E*1P29A	A80UH1E045A12	16.00	13.00	18000	12600	640	3/4	3/8	3/4	3/8	3/4	3/8	0.053	A4TXV01
	E*1P29A	A80DS2V070A12	14.50	12.00	18000	12600	650	3/4	3/8	3/4	3/8	3/4	3/8	0.053	A4TXV01
	E*1P29A	A80DF2V070A12	14.50	12.00	18000	12600	650	3/4	3/8	3/4	3/8	3/4	3/8	0.053	A4TXV01
	E*1P29B	A80DF1E070B12	15.10	12.50	18000	12600	650	3/4	3/8	3/4	3/8	3/4	3/8	0.053	A4TXV01
	E*1P29A	A80DF1E045A12	15.10	12.50	18000	12600	650	3/4	3/8	3/4	3/8	3/4	3/8	0.053	A4TXV01
	E*1P29B	L83HF1V84/95E12	15.10	12.50	18000	12600	650	3/4	3/8	3/4	3/8	3/4	3/8	0.053	A4TXV01
	E*1P29B	L83HR1V84/95E12	15.10	12.50	18000	12600	650	3/4	3/8	3/4	3/8	3/4	3/8	0.053	A4TXV01
	E*1P29B	L83UF1V57/72E12	15.10	12.50	18000	12600	650	3/4	3/8	3/4	3/8	3/4	3/8	0.053	A4TXV01
	E*1P30B	A95UH2V070B12	16.00	13.00	18000	12600	650	3/4	3/8	3/4	3/8	3/4	3/8	0.053	A4TXV01
	E*1P30B	A95UH2V045B12	16.00	13.00	18000	12600	650	3/4	3/8	3/4	3/8	3/4	3/8	0.053	A4TXV01
	E*1P30B	A95UH2E070B12	15.10	12.50	18000	12600	650	3/4	3/8	3/4	3/8	3/4	3/8	0.053	A4TXV01
	E*1P30B	A95UH2E045B12	15.10	12.50	18000	12600	650	3/4	3/8	3/4	3/8	3/4	3/8	0.053	A4TXV01
	E*1P30B	A95DF2V045BV12	16.00	13.00	18000	12600	650	3/4	3/8	3/4	3/8	3/4	3/8	0.053	A4TXV01
	E*1P30B	A95DF2E070B16	15.10	12.50	18000	12600	650	3/4	3/8	3/4	3/8	3/4	3/8	0.053	A4TXV01
	E*1P30B	A95DF2E045B12	15.10	12.50	18000	12600	650	3/4	3/8	3/4	3/8	3/4	3/8	0.053	A4TXV01

Note:

¹ Certified in accordance with Unitary Air Conditioner Certification Program, which is based on AHRI Standard 210/240

² Required to achieve AHRI rating. If NA (Not Applicable) is in the piston column, then TXV is required.

³ A blower time delay relay is required to achieve AHRI rating. This feature is standard on all Allied Air Enterprises furnace and AH products.

Cooling Performance with Air Handlers and Furnaces 24

Outdoor Model	Indoor Model	Variable Speed Furnace	SEER	EER	Rated ARI Capacity ¹ BTUH	Rated Sensible Capacity BTUH	CFM	Refrigerant Connection				Refrigerant Line Size		Indoor Expansion Device		
	Evaporator Coil or Air Handler ³							Outdoor		Indoor		Suction	Liquid	Piston ²	TXV	
								Suction	Liquid	Suction	Liquid					
4SCU14LE124P-4	BCE3M24C****P		14.00	12.00	23000	17000	850	3/4	3/8	3/4	3/8	3/4	3/8	0.057	A4TXV01	
	BCS2M24S00NA1P		16.00	13.00	23000	17000	850	3/4	3/8	3/4	3/8	3/4	3/8	0.057	A4TXV01	
	BCS2M24V00NA1P		16.00	13.00	23000	17000	850	3/4	3/8	3/4	3/8	3/4	3/8	0.057	A4TXV01	
	BCE3M30E****X		16.0	13.0	23000	17000	850	3/4	3/8	3/4	3/8	3/4	3/8	NA	FACTORY INSTALLED A4TXV01	
	E*1P23B	EFV08BC		15.10	12.50	23000	17000	850	3/4	3/8	3/4	3/8	3/4	3/8	0.057	A4TXV01
	E*1P23B	A97USMV070B12		15.10	12.50	23000	17000	850	3/4	3/8	3/4	3/8	3/4	3/8	0.057	A4TXV01
	E*1P23B	A97USMV070B12		15.10	12.50	23000	17000	850	3/4	3/8	3/4	3/8	3/4	3/8	0.057	A4TXV01
	E*1P23B	A97USMV070B12		16.00	13.00	23000	17000	850	3/4	3/8	3/4	3/8	3/4	3/8	0.057	A4TXV01
	E*1P23B	A97DSMV070B12		15.10	12.50	23000	17000	850	3/4	3/8	3/4	3/8	3/4	3/8	0.057	A4TXV01
	E*1P23B	A95UH2V090B12		16.00	13.00	23000	17000	780	3/4	3/8	3/4	3/8	3/4	3/8	0.057	A4TXV01
	E*1P23B	A95UH2V070B12		16.00	13.00	23000	17000	800	3/4	3/8	3/4	3/8	3/4	3/8	0.057	A4TXV01
	E*1P23B	A95UH2V045B12		16.00	13.00	23000	17000	800	3/4	3/8	3/4	3/8	3/4	3/8	0.057	A4TXV01
	E*1P23B	A95UH1E070B12		16.00	13.00	23000	17000	780	3/4	3/8	3/4	3/8	3/4	3/8	0.057	A4TXV01
	E*1P23B	A95UH1E045B12		15.10	12.50	23000	17000	760	3/4	3/8	3/4	3/8	3/4	3/8	0.057	A4TXV01
	E*1P23B	A95DF2V070B16		15.10	12.50	23000	17000	850	3/4	3/8	3/4	3/8	3/4	3/8	0.057	A4TXV01
	E*1P23B	A95DF2V045B12		15.10	12.50	23000	17000	850	3/4	3/8	3/4	3/8	3/4	3/8	0.057	A4TXV01
	E*1P23B	A95DF2E070B16		15.10	12.00	23000	17000	760	3/4	3/8	3/4	3/8	3/4	3/8	0.057	A4TXV01
	E*1P23B	A95DF1E070B16		15.10	12.50	23000	17000	760	3/4	3/8	3/4	3/8	3/4	3/8	0.057	A4TXV01
	E*1P23B	A95DF1E045B12		15.10	12.50	23000	17000	760	3/4	3/8	3/4	3/8	3/4	3/8	0.057	A4TXV01
	E*1P23B	A80US2V090B16		15.10	12.50	23000	17000	850	3/4	3/8	3/4	3/8	3/4	3/8	0.057	A4TXV01
	E*1P23B	A80US2V090B12		16.00	13.00	23000	17000	830	3/4	3/8	3/4	3/8	3/4	3/8	0.057	A4TXV01
	E*1P23A	A80US2V070A12		15.10	12.00	23000	17000	850	3/4	3/8	3/4	3/8	3/4	3/8	0.057	A4TXV01
	E*1P23B	A80UH1E070B12		14.50	12.00	23000	17000	760	3/4	3/8	3/4	3/8	3/4	3/8	0.057	A4TXV01
	E*1P23B	A80UH1E070B12		16.00	13.00	23000	17000	800	3/4	3/8	3/4	3/8	3/4	3/8	0.057	A4TXV01
	E*1P23A	A80UH1E045A12		15.10	12.50	23000	17000	760	3/4	3/8	3/4	3/8	3/4	3/8	0.057	A4TXV01
	E*1P23B	A80DS2V090B16		15.10	12.50	23000	17000	850	3/4	3/8	3/4	3/8	3/4	3/8	0.057	A4TXV01
	E*1P23A	A80DS2V070A12		15.10	12.00	23000	17000	850	3/4	3/8	3/4	3/8	3/4	3/8	0.057	A4TXV01
	E*1P23B	A80DF2V090B16		15.10	12.50	23000	17000	850	3/4	3/8	3/4	3/8	3/4	3/8	0.057	A4TXV01
	E*1P23A	A80DF2V070A12		15.10	12.00	23000	17000	850	3/4	3/8	3/4	3/8	3/4	3/8	0.057	A4TXV01
	E*1P23A	A80DF1E070B12		14.50	12.00	23000	17000	760	3/4	3/8	3/4	3/8	3/4	3/8	0.057	A4TXV01
E*1P23A	A80DF1E045A12		15.10	12.50	23000	17000	760	3/4	3/8	3/4	3/8	3/4	3/8	0.057	A4TXV01	

Note:

¹ Certified in accordance with Unitary Air Conditioner Certification Program, which is based on AHRI Standard 210/240

² Required to achieve AHRI rating. If NA (Not Applicable) is in the piston column, then TXV is required.

³ A blower time delay relay is required to achieve AHRI rating. This feature is standard on all Allied Air Enterprises furnace and AH products.

Cooling Performance with Air Handlers and Furnaces 24

Outdoor Model	Indoor Model	Variable Speed Furnace	SEER	EER	Rated ARI Capacity ¹ BTUH	Rated Sensible Capacity BTUH	CFM	Refrigerant Connection				Refrigerant Line Size		Indoor Expansion Device	
	Evaporator Coil or Air Handler ³							Outdoor		Indoor		Suction	Liquid	Piston ²	TXV
								Suction	Liquid	Suction	Liquid				
4SCU14LE124P-4	E*1P23B	L85UF1V67/87E14	15.10	12.00	23000	17000	800	3/4	3/8	3/4	3/8	3/4	3/8	0.057	A4TXV01
	E*1P23B	L85B*1V67/87E14	15.10	12.00	23000	17000	800	3/4	3/8	3/4	3/8	3/4	3/8	0.057	A4TXV01
	E*1P23B	L83UF1V84/95E14	15.10	12.50	23000	17000	850	3/4	3/8	3/4	3/8	3/4	3/8	0.057	A4TXV01
	E*1P23B	L83UF1V57/72E12	15.10	12.50	23000	17000	850	3/4	3/8	3/4	3/8	3/4	3/8	0.057	A4TXV01
	E*1P23B	L83HR1V84/95E12	15.10	12.50	23000	17000	850	3/4	3/8	3/4	3/8	3/4	3/8	0.057	A4TXV01
	E*1P23B	L83HF1V84/95E12	15.10	12.50	23000	17000	850	3/4	3/8	3/4	3/8	3/4	3/8	0.057	A4TXV01
	E*1P23B	L83B*1V84/95E14	15.10	12.50	23000	17000	850	3/4	3/8	3/4	3/8	3/4	3/8	0.057	A4TXV01
	E*1P24B	EFV08BC	15.10	12.50	23000	17000	850	3/4	3/8	3/4	3/8	3/4	3/8	0.057	A4TXV01
	E*1P24B	A97USMV070B12	15.10	12.50	23000	17000	850	3/4	3/8	3/4	3/8	3/4	3/8	0.057	A4TXV01
	E*1P24B	A97USMV070B12	15.10	12.50	23000	17000	850	3/4	3/8	3/4	3/8	3/4	3/8	0.057	A4TXV01
	E*1P24B		15.10	12.50	23000	17000	850	3/4	3/8	3/4	3/8	3/4	3/8	0.057	A4TXV01
	E*1P24B	A95UH2V070B12	15.10	12.50	23000	17000	850	3/4	3/8	3/4	3/8	3/4	3/8	0.057	A4TXV01
	E*1P24B	A95UH2V045B12	15.10	12.50	23000	17000	850	3/4	3/8	3/4	3/8	3/4	3/8	0.057	A4TXV01
	E*1P24B	A95UH2E070B12	15.10	12.00	23000	17000	770	3/4	3/8	3/4	3/8	3/4	3/8	0.057	A4TXV01
	E*1P24B	A95UH1E070B12	15.10	12.50	23000	17000	770	3/4	3/8	3/4	3/8	3/4	3/8	0.057	A4TXV01
	E*1P24B	A95UH1E045B12	15.10	12.50	23000	17000	770	3/4	3/8	3/4	3/8	3/4	3/8	0.057	A4TXV01
	E*1P24B	A95DF2V070B16	15.10	12.50	23000	17000	850	3/4	3/8	3/4	3/8	3/4	3/8	0.057	A4TXV01
	E*1P24B	A95DF2V045B12	15.10	12.50	23000	17000	850	3/4	3/8	3/4	3/8	3/4	3/8	0.057	A4TXV01
	E*1P24B	A95DF2E070B16	15.10	12.00	23000	17000	770	3/4	3/8	3/4	3/8	3/4	3/8	0.057	A4TXV01
	E*1P24B	A95DF1E070B16	15.10	12.50	23000	17000	770	3/4	3/8	3/4	3/8	3/4	3/8	0.057	A4TXV01
	E*1P24B	A95DF1E045B12	15.10	12.50	23000	17000	770	3/4	3/8	3/4	3/8	3/4	3/8	0.057	A4TXV01
	E*1P24B	A80US2V090B16	15.10	12.50	23000	17000	850	3/4	3/8	3/4	3/8	3/4	3/8	0.057	A4TXV01
	E*1P24B	A80US2V090B12	15.10	12.50	23000	17000	850	3/4	3/8	3/4	3/8	3/4	3/8	0.057	A4TXV01
	E*1P24A	A80US2V070A12	15.10	12.00	23000	17000	850	3/4	3/8	3/4	3/8	3/4	3/8	0.057	A4TXV01
	E*1P24B	A80UH1E070B12	14.50	12.00	23000	17000	770	3/4	3/8	3/4	3/8	3/4	3/8	0.057	A4TXV01
	E*1P24A	A80UH1E045A12	15.10	12.50	23000	17000	770	3/4	3/8	3/4	3/8	3/4	3/8	0.057	A4TXV01
	E*1P24B	A80DS2V090B16	15.10	12.50	23000	17000	850	3/4	3/8	3/4	3/8	3/4	3/8	0.057	A4TXV01
	E*1P24A	A80DS2V070A12	15.10	12.00	23000	17000	850	3/4	3/8	3/4	3/8	3/4	3/8	0.057	A4TXV01
	E*1P24B	A80DF2V090B16	15.10	12.50	23000	17000	850	3/4	3/8	3/4	3/8	3/4	3/8	0.057	A4TXV01
	E*1P24A	A80DF2V070A12	15.10	12.00	23000	17000	850	3/4	3/8	3/4	3/8	3/4	3/8	0.057	A4TXV01

Note:

¹ Certified in accordance with Unitary Air Conditioner Certification Program, which is based on AHRI Standard 210/240

² Required to achieve AHRI rating. If NA (Not Applicable) is in the piston column, then TXV is required.

³ A blower time delay relay is required to achieve AHRI rating. This feature is standard on all Allied Air Enterprises furnace and AH products.

Cooling Performance with Air Handlers and Furnaces 24

Outdoor Model	Indoor Model	Variable Speed Furnace	SEER	EER	Rated ARI Capacity ¹ BTUH	Rated Sensible Capacity BTUH	CFM	Refrigerant Connection				Refrigerant Line Size		Indoor Expansion Device	
	Evaporator Coil or Air Handler ³							Outdoor		Indoor		Suction	Liquid	Piston ²	TXV
								Suction	Liquid	Suction	Liquid				
4SCU14LE124P-4	E*1P24B	A80DF1E070B12	14.50	12.00	23000	17000	770	3/4	3/8	3/4	3/8	3/4	3/8	0.057	A4TXV01
	E*1P24A	A80DF1E045A12	15.10	12.50	23000	17000	770	3/4	3/8	3/4	3/8	3/4	3/8	0.057	A4TXV01
	E*1P24B	L85UF1V67/87E14	15.10	12.00	23000	17000	800	3/4	3/8	3/4	3/8	3/4	3/8	0.057	A4TXV01
	E*1P24B	L85B*1V67/87E14	15.10	12.00	23000	17000	800	3/4	3/8	3/4	3/8	3/4	3/8	0.057	A4TXV01
	E*1P29B	EFV08BC	15.10	12.50	23000	17000	850	3/4	3/8	3/4	3/8	3/4	3/8	0.057	A4TXV01
	E*1P29B	A97USMV070B12	15.10	12.50	23000	17000	850	3/4	3/8	3/4	3/8	3/4	3/8	0.057	A4TXV01
	E*1P29B	A97USMV070B12	15.10	12.50	23000	17000	850	3/4	3/8	3/4	3/8	3/4	3/8	0.057	A4TXV01
	E*1P29B	A97USMV070B12	16.00	13.00	23000	17000	780	3/4	3/8	3/4	3/8	3/4	3/8	0.057	A4TXV01
	E*1P29B	A97DSMV070B12	15.10	12.50	23000	17000	850	3/4	3/8	3/4	3/8	3/4	3/8	0.057	A4TXV01
	E*1P29B	A95UH2V090B12	16.00	13.00	23000	17000	780	3/4	3/8	3/4	3/8	3/4	3/8	0.057	A4TXV01
	E*1P29B	A95UH2V070B12	15.10	12.50	23000	17000	800	3/4	3/8	3/4	3/8	3/4	3/8	0.057	A4TXV01
	E*1P29B	A95UH2V070B12	16.00	13.00	23000	17000	780	3/4	3/8	3/4	3/8	3/4	3/8	0.057	A4TXV01
	E*1P29B	A95UH2V045B12	15.10	12.50	23000	17000	850	3/4	3/8	3/4	3/8	3/4	3/8	0.057	A4TXV01
	E*1P29B	A95UH2V045B12	16.00	13.00	23000	17000	760	3/4	3/8	3/4	3/8	3/4	3/8	0.057	A4TXV01
	E*1P29B	A95UH2E070B12	16.00	13.00	23000	17000	850	3/4	3/8	3/4	3/8	3/4	3/8	0.057	A4TXV01
	E*1P29B	A95UH2E045B12	16.00	13.00	23000	17000	785	3/4	3/8	3/4	3/8	3/4	3/8	0.057	A4TXV01
	E*1P29B	A95UH1E070B12	15.10	12.50	23000	17000	770	3/4	3/8	3/4	3/8	3/4	3/8	0.057	A4TXV01
	E*1P29B	A95UH1E070B12	16.00	13.00	23000	17000	780	3/4	3/8	3/4	3/8	3/4	3/8	0.057	A4TXV01
	E*1P29B	A95UH1E045B12	15.10	12.50	23000	17000	770	3/4	3/8	3/4	3/8	3/4	3/8	0.057	A4TXV01
	E*1P29B	A95UH1E045B12	16.00	13.00	23000	17000	760	3/4	3/8	3/4	3/8	3/4	3/8	0.057	A4TXV01
	E*1P29B	A95DF2V070B16	15.10	12.50	23000	17000	850	3/4	3/8	3/4	3/8	3/4	3/8	0.057	A4TXV01
	E*1P29B	A95DF2V045B12	14.50	12.50	23000	17000	850	3/4	3/8	3/4	3/8	3/4	3/8	0.057	A4TXV01
	E*1P29B	A95DF2E070B16	15.10	12.00	23000	17000	770	3/4	3/8	3/4	3/8	3/4	3/8	0.057	A4TXV01
	E*1P29B	A95DF1E070B16	15.10	12.50	23000	17000	770	3/4	3/8	3/4	3/8	3/4	3/8	0.057	A4TXV01
	E*1P29B	A95DF1E045B12	15.10	12.50	23000	17000	770	3/4	3/8	3/4	3/8	3/4	3/8	0.057	A4TXV01
	E*1P29B	A80US2V090B16	15.10	12.50	23000	17000	850	3/4	3/8	3/4	3/8	3/4	3/8	0.057	A4TXV01
	E*1P29B	A80US2V090B12	15.10	12.50	23000	17000	850	3/4	3/8	3/4	3/8	3/4	3/8	0.057	A4TXV01
	E*1P29A	A80US2V070A12	15.10	12.50	23000	17000	850	3/4	3/8	3/4	3/8	3/4	3/8	0.057	A4TXV01
	E*1P29B	A80UH1E070B12	16.00	13.00	23000	17000	800	3/4	3/8	3/4	3/8	3/4	3/8	0.057	A4TXV01
	E*1P29A	A80UH1E045A12	16.00	13.00	23000	17000	800	3/4	3/8	3/4	3/8	3/4	3/8	0.057	A4TXV01

Note:

¹ Certified in accordance with Unitary Air Conditioner Certification Program, which is based on AHRI Standard 210/240

² Required to achieve AHRI rating. If NA (Not Applicable) is in the piston column, then TXV is required.

³ A blower time delay relay is required to achieve AHRI rating. This feature is standard on all Allied Air Enterprises furnace and AH products.

Cooling Performance with Air Handlers and Furnaces 24

Outdoor Model	Indoor Model	Variable Speed Furnace	SEER	EER	Rated ARI Capacity ¹ BTUH	Rated Sensible Capacity BTUH	CFM	Refrigerant Connection				Refrigerant Line Size		Indoor Expansion Device	
	Evaporator Coil or Air Handler ³							Outdoor		Indoor		Suction	Liquid	Piston ²	TXV
								Suction	Liquid	Suction	Liquid				
4SCU14LE124P-4	E*1P29B	A80DS2V090B16	15.10	12.50	23000	17000	850	3/4	3/8	3/4	3/8	3/4	3/8	0.057	A4TXV01
	E*1P29A	A80DS2V070A12	14.50	12.50	23000	17000	850	3/4	3/8	3/4	3/8	3/4	3/8	0.057	A4TXV01
	E*1P29B	A80DF2V090B16	15.10	12.50	23000	17000	850	3/4	3/8	3/4	3/8	3/4	3/8	0.057	A4TXV01
	E*1P29A	A80DF2V070A12	14.50	12.50	23000	17000	850	3/4	3/8	3/4	3/8	3/4	3/8	0.057	A4TXV01
	E*1P29B	A80DF1E070B12	15.10	12.50	23000	17000	770	3/4	3/8	3/4	3/8	3/4	3/8	0.057	A4TXV01
	E*1P29A	A80DF1E045A12	15.10	12.50	23000	17000	770	3/4	3/8	3/4	3/8	3/4	3/8	0.057	A4TXV01
	E*1P29B	L85UF1V67/87E14	15.10	12.00	23000	17000	800	3/4	3/8	3/4	3/8	3/4	3/8	0.057	A4TXV01
	E*1P29B	L85B*1V67/87E14	15.10	12.00	23000	17000	800	3/4	3/8	3/4	3/8	3/4	3/8	0.057	A4TXV01
	E*1P29B	L83UF1V84/95E14	15.10	12.50	23000	17000	850	3/4	3/8	3/4	3/8	3/4	3/8	0.057	A4TXV01
	E*1P29B	L83UF1V57/72E12	15.10	12.50	23000	17000	850	3/4	3/8	3/4	3/8	3/4	3/8	0.057	A4TXV01
	E*1P29B	L83HR1V84/95E12	15.10	12.50	23000	17000	850	3/4	3/8	3/4	3/8	3/4	3/8	0.057	A4TXV01
	E*1P29B	L83HF1V84/95E12	15.10	12.50	23000	17000	850	3/4	3/8	3/4	3/8	3/4	3/8	0.057	A4TXV01
	E*1P29B	L83B*1V84/95E14	15.10	12.50	23000	17000	850	3/4	3/8	3/4	3/8	3/4	3/8	0.057	A4TXV01
	E*1P30B	EFV08BC	15.10	12.50	23000	17000	850	3/4	3/8	3/4	3/8	3/4	3/8	0.057	A4TXV01
	E*1P30B	A97USMV070B12	15.10	12.50	23000	17000	850	3/4	3/8	3/4	3/8	3/4	3/8	0.057	A4TXV01
	E*1P30B	A97USMV070B12	15.10	12.50	23000	17000	850	3/4	3/8	3/4	3/8	3/4	3/8	0.057	A4TXV01
	E*1P30B	A97USMV070B12	16.00	13.00	23000	17000	850	3/4	3/8	3/4	3/8	3/4	3/8	0.057	A4TXV01
	E*1P30B	A97DSMV070B12	15.10	12.50	23000	17000	850	3/4	3/8	3/4	3/8	3/4	3/8	0.057	A4TXV01
	E*1P30B	A95UH2V070B12	15.10	12.50	23000	17000	850	3/4	3/8	3/4	3/8	3/4	3/8	0.057	A4TXV01
	E*1P30B	A95UH2V070B12	16.00	13.00	23000	17000	780	3/4	3/8	3/4	3/8	3/4	3/8	0.057	A4TXV01
	E*1P30B	A95UH2V045B12	15.10	12.50	23000	17000	850	3/4	3/8	3/4	3/8	3/4	3/8	0.057	A4TXV01
	E*1P30B	A95UH2V045B12	16.00	13.00	23000	17000	760	3/4	3/8	3/4	3/8	3/4	3/8	0.057	A4TXV01
	E*1P30B	A95UH2E070B12	15.10	12.00	23000	17000	770	3/4	3/8	3/4	3/8	3/4	3/8	0.057	A4TXV01
	E*1P30B	A95UH1E070B12	15.10	12.50	23000	17000	770	3/4	3/8	3/4	3/8	3/4	3/8	0.057	A4TXV01
	E*1P30B	A95UH1E070B12	16.00	13.00	23000	17000	780	3/4	3/8	3/4	3/8	3/4	3/8	0.057	A4TXV01
	E*1P30B	A95UH1E045B12	15.10	12.50	23000	17000	770	3/4	3/8	3/4	3/8	3/4	3/8	0.057	A4TXV01
	E*1P30B	A95DF2V070B16	15.10	12.50	23000	17000	850	3/4	3/8	3/4	3/8	3/4	3/8	0.057	A4TXV01
	E*1P30B	A95DF2V045B12	15.10	12.50	23000	17000	850	3/4	3/8	3/4	3/8	3/4	3/8	0.057	A4TXV01
	E*1P30B	A95DF2E070B16	15.10	12.00	23000	17000	770	3/4	3/8	3/4	3/8	3/4	3/8	0.057	A4TXV01
	E*1P30B	A95DF1E070B16	15.10	12.50	23000	17000	770	3/4	3/8	3/4	3/8	3/4	3/8	0.057	A4TXV01

Note:

¹ Certified in accordance with Unitary Air Conditioner Certification Program, which is based on AHRI Standard 210/240

² Required to achieve AHRI rating. If NA (Not Applicable) is in the piston column, then TXV is required.

³ A blower time delay relay is required to achieve AHRI rating. This feature is standard on all Allied Air Enterprises furnace and AH products.

Cooling Performance with Air Handlers and Furnaces 24

Outdoor Model	Indoor Model	Variable Speed Furnace	SEER	EER	Rated ARI Capacity ¹ BTUH	Rated Sensible Capacity BTUH	CFM	Refrigerant Connection				Refrigerant Line Size		Indoor Expansion Device	
	Evaporator Coil or Air Handler ³							Outdoor		Indoor		Suction	Liquid	Piston ²	TXV
								Suction	Liquid	Suction	Liquid				
4SCU14LE124P-4	E*1P30B	A95DF1E045B12	15.10	12.50	23000	17000	770	3/4	3/8	3/4	3/8	3/4	3/8	0.057	A4TXV01
	E*1P30B	A80US2V090B16	15.10	12.50	23000	17000	850	3/4	3/8	3/4	3/8	3/4	3/8	0.057	A4TXV01
	E*1P30B	A80US2V090B12	15.10	12.50	23000	17000	850	3/4	3/8	3/4	3/8	3/4	3/8	0.057	A4TXV01
	E*1P30B	A80US2V070B12	16.00	13.00	23000	17000	800	3/4	3/8	3/4	3/8	3/4	3/8	0.057	A4TXV01
	E*1P30A	A80US2V070A12	15.10	12.50	23000	17000	850	3/4	3/8	3/4	3/8	3/4	3/8	0.057	A4TXV01
	E*1P30B	A80UH1E070B12	16.00	13.00	23000	17000	800	3/4	3/8	3/4	3/8	3/4	3/8	0.057	A4TXV01
	E*1P30A	A80UH1E045A12	16.00	13.00	23000	17000	800	3/4	3/8	3/4	3/8	3/4	3/8	0.057	A4TXV01
	E*1P30B	A80DS2V090B16	15.10	12.50	23000	17000	850	3/4	3/8	3/4	3/8	3/4	3/8	0.057	A4TXV01
	E*1P30A	A80DS2V070A12	15.10	12.50	23000	17000	850	3/4	3/8	3/4	3/8	3/4	3/8	0.057	A4TXV01
	E*1P30B	A80DF2V090B16	15.10	12.50	23000	17000	850	3/4	3/8	3/4	3/8	3/4	3/8	0.057	A4TXV01
	E*1P30A	A80DF2V070A12	15.10	12.50	23000	17000	850	3/4	3/8	3/4	3/8	3/4	3/8	0.057	A4TXV01
	E*1P30B	A80DF1E070B12	15.10	12.50	23000	17000	770	3/4	3/8	3/4	3/8	3/4	3/8	0.057	A4TXV01
	E*1P30A	A80DF1E045A12	15.10	12.50	23000	17000	770	3/4	3/8	3/4	3/8	3/4	3/8	0.057	A4TXV01
	E*1P30B	L85UF1V67/87E14	15.10	12.00	23000	17000	800	3/4	3/8	3/4	3/8	3/4	3/8	0.057	A4TXV01
	E*1P30B	L85B*1V67/87E14	15.10	12.00	23000	17000	800	3/4	3/8	3/4	3/8	3/4	3/8	0.057	A4TXV01
	E*1P36B	EFV08BC	15.10	12.50	23000	17000	850	3/4	3/8	3/4	3/8	3/4	3/8	0.057	A4TXV01
	E*1P36C	A97USMV090C12	16.00	13.00	23000	17000	780	3/4	3/8	3/4	3/8	3/4	3/8	0.057	A4TXV01
	E*1P36B	A97USMV070B12	15.10	12.50	23000	17000	850	3/4	3/8	3/4	3/8	3/4	3/8	0.057	A4TXV01
	E*1P36B	A97USMV070B12	15.10	12.50	23000	17000	850	3/4	3/8	3/4	3/8	3/4	3/8	0.057	A4TXV01
	E*1P36B	A97USMV070B12	16.00	13.00	23000	17000	780	3/4	3/8	3/4	3/8	3/4	3/8	0.057	A4TXV01
	E*1P36B	A97DSMV070B12	15.10	12.50	23000	17000	850	3/4	3/8	3/4	3/8	3/4	3/8	0.057	A4TXV01
	E*1P36B	A95UH2V070B12	15.10	12.50	23000	17000	800	3/4	3/8	3/4	3/8	3/4	3/8	0.057	A4TXV01
	E*1P36B	A95UH2V045B12	15.10	12.50	23000	17000	850	3/4	3/8	3/4	3/8	3/4	3/8	0.057	A4TXV01
	E*1P36B	A95UH1E070B12	15.10	12.50	23000	17000	770	3/4	3/8	3/4	3/8	3/4	3/8	0.057	A4TXV01
	E*1P36B	A95UH1E045B12	15.10	12.50	23000	17000	770	3/4	3/8	3/4	3/8	3/4	3/8	0.057	A4TXV01
	E*1P36B	A95DF2V070B16	15.10	12.50	23000	17000	850	3/4	3/8	3/4	3/8	3/4	3/8	0.057	A4TXV01
	E*1P36B	A95DF2V045B12	15.10	12.50	23000	17000	850	3/4	3/8	3/4	3/8	3/4	3/8	0.057	A4TXV01
	E*1P36B	A95DF2E070B16	15.10	12.00	23000	17000	770	3/4	3/8	3/4	3/8	3/4	3/8	0.057	A4TXV01
	E*1P36B	A95DF1E070B16	15.10	12.50	23000	17000	770	3/4	3/8	3/4	3/8	3/4	3/8	0.057	A4TXV01
	E*1P36B	A95DF1E045B12	15.10	12.50	23000	17000	770	3/4	3/8	3/4	3/8	3/4	3/8	0.057	A4TXV01

Note:

¹ Certified in accordance with Unitary Air Conditioner Certification Program, which is based on AHRI Standard 210/240

² Required to achieve AHRI rating. If NA (Not Applicable) is in the piston column, then TXV is required.

³ A blower time delay relay is required to achieve AHRI rating. This feature is standard on all Allied Air Enterprises furnace and AH products.

Cooling Performance with Air Handlers and Furnaces 24

Outdoor Model	Indoor Model	Variable Speed Furnace	SEER	EER	Rated ARI Capacity ¹ BTUH	Rated Sensible Capacity BTUH	CFM	Refrigerant Connection				Refrigerant Line Size		Indoor Expansion Device	
	Evaporator Coil or Air Handler ³							Outdoor		Indoor		Suction	Liquid	Piston ²	TXV
								Suction	Liquid	Suction	Liquid				
4SCU14LE124P-4	E*1P36B	A80US2V090B16	15.10	12.50	23000	17000	850	3/4	3/8	3/4	3/8	3/4	3/8	0.057	A4TXV01
	E*1P36B	A80US2V090B12	16.00	13.00	23000	17000	850	3/4	3/8	3/4	3/8	3/4	3/8	0.057	A4TXV01
	E*1P36A	A80US2V070A12	15.10	12.50	23000	17000	850	3/4	3/8	3/4	3/8	3/4	3/8	0.057	A4TXV01
	E*1P36B	A80UH1E070B12	16.00	13.00	23000	17000	800	3/4	3/8	3/4	3/8	3/4	3/8	0.057	A4TXV01
	E*1P36A	A80UH1E045A12	16.00	13.00	23000	17000	800	3/4	3/8	3/4	3/8	3/4	3/8	0.057	A4TXV01
	E*1P36B	A80DS2V090B16	15.10	12.50	23000	17000	850	3/4	3/8	3/4	3/8	3/4	3/8	0.057	A4TXV01
	E*1P36A	A80DS2V070A12	15.10	12.50	23000	17000	850	3/4	3/8	3/4	3/8	3/4	3/8	0.057	A4TXV01
	E*1P36B	A80DF2V090B16	15.10	12.50	23000	17000	850	3/4	3/8	3/4	3/8	3/4	3/8	0.057	A4TXV01
	E*1P36A	A80DF2V070A12	15.10	12.50	23000	17000	850	3/4	3/8	3/4	3/8	3/4	3/8	0.057	A4TXV01
	E*1P36B	A80DF1E070B12	15.10	12.50	23000	17000	770	3/4	3/8	3/4	3/8	3/4	3/8	0.057	A4TXV01
	E*1P36A	A80DF1E045A12	15.10	12.50	23000	17000	770	3/4	3/8	3/4	3/8	3/4	3/8	0.057	A4TXV01
	E*1P36B	L85UF1V67/87E14	15.10	12.00	23000	17000	800	3/4	3/8	3/4	3/8	3/4	3/8	0.057	A4TXV01
	E*1P36B	L85B*1V67/87E14	15.10	12.00	23000	17000	800	3/4	3/8	3/4	3/8	3/4	3/8	0.057	A4TXV01
	E*1P36B	L83UF1V84/95E14	15.10	12.50	23000	17000	850	3/4	3/8	3/4	3/8	3/4	3/8	0.057	A4TXV01
	E*1P36B	L83UF1V57/72E12	15.10	12.50	23000	17000	850	3/4	3/8	3/4	3/8	3/4	3/8	0.057	A4TXV01
	E*1P36B	L83HR1V84/95E12	15.10	12.50	23000	17000	850	3/4	3/8	3/4	3/8	3/4	3/8	0.057	A4TXV01
	E*1P36B	L83HF1V84/95E12	15.10	12.50	23000	17000	850	3/4	3/8	3/4	3/8	3/4	3/8	0.057	A4TXV01
	E*1P36B	L83B*1V84/95E14	15.10	12.50	23000	17000	850	3/4	3/8	3/4	3/8	3/4	3/8	0.057	A4TXV01

Note:

¹ Certified in accordance with Unitary Air Conditioner Certification Program, which is based on AHRI Standard 210/240

² Required to achieve AHRI rating. If NA (Not Applicable) is in the piston column, then TXV is required.

³ A blower time delay relay is required to achieve AHRI rating. This feature is standard on all Allied Air Enterprises furnace and AH products.

Cooling Performance with Air Handlers and Furnaces 30

Outdoor Model	Indoor Model	Variable Speed Furnace	SEER	EER	Rated ARI Capacity ¹ BTUH	Rated Sensible Capacity BTUH	CFM	Refrigerant Connection				Refrigerant Line Size		Indoor Expansion Device		
	Evaporator Coil or Air Handler ³							Outdoor		Indoor		Suction	Liquid	Piston ²	TXV	
								Suction	Liquid	Suction	Liquid					
4SCU14LE130P-4	BCE3M30C****P		14.00	11.50	27000	21500	1000	3/4	3/8	3/4	3/8	3/4	3/8	0.065	A4TXV01	
	BCS2M36S00NA1P		15.10	12.50	28000	21500	1000	3/4	3/8	3/4	3/8	3/4	3/8	0.065	A4TXV01	
	BCS2M36V00NA1P		15.10	12.50	28000	21500	1000	3/4	3/8	3/4	3/8	3/4	3/8	0.065	A4TXV01	
	BCE3M30E****X		15.1	12.5	27000	21500	1000	3/4	3/8	3/4	3/8	3/4	3/8	NA	FACTORY INSTALLED A4TXV01	
	E*1P29B	EFV12BC		14.50	12.00	28000	21500	1000	3/4	3/8	3/4	3/8	3/4	3/8	0.065	A4TXV01
	E*1P29B	A97USMV070B12		16.00	13.00	28000	21500	1000	3/4	3/8	3/4	3/8	3/4	3/8	0.065	A4TXV01
	E*1P29B	A97DSMV070B12		15.10	12.50	28000	21500	1000	3/4	3/8	3/4	3/8	3/4	3/8	0.065	A4TXV01
	E*1P29B	A95UH2V070B12		16.00	13.00	28000	21500	1000	3/4	3/8	3/4	3/8	3/4	3/8	0.065	A4TXV01
	E*1P29B	A95UH2V045B12		15.10	12.50	28000	21500	1000	3/4	3/8	3/4	3/8	3/4	3/8	0.065	A4TXV01
	E*1P29B	A95UH2E070B12		14.50	12.00	28000	21500	1000	3/4	3/8	3/4	3/8	3/4	3/8	0.065	A4TXV01
	E*1P29B	A95UH2E045B12		15.00	12.00	28000	21500	1000	3/4	3/8	3/4	3/8	3/4	3/8	0.065	A4TXV01
	E*1P29B	A95UH1E070B12		15.10	12.50	28000	21500	1000	3/4	3/8	3/4	3/8	3/4	3/8	0.065	A4TXV01
	E*1P29B	A95UH1E045B12		15.10	12.50	28000	21500	1000	3/4	3/8	3/4	3/8	3/4	3/8	0.065	A4TXV01
	E*1P29B	A95DF2V070B16		15.10	12.50	28000	21500	1000	3/4	3/8	3/4	3/8	3/4	3/8	0.065	A4TXV01
	E*1P29B	A95DF2V045B12		15.10	12.50	28000	21500	1000	3/4	3/8	3/4	3/8	3/4	3/8	0.065	A4TXV01
	E*1P29B	A95DF2E070B16		15.00	12.00	28000	21500	1000	3/4	3/8	3/4	3/8	3/4	3/8	0.065	A4TXV01
	E*1P29B	A95DF2E045B12		14.50	12.00	28000	21500	1000	3/4	3/8	3/4	3/8	3/4	3/8	0.065	A4TXV01
	E*1P29B	A95DF1E070B16		15.10	12.50	28000	21500	1000	3/4	3/8	3/4	3/8	3/4	3/8	0.065	A4TXV01
	E*1P29B	A95DF1E045B12		15.10	12.50	28000	21500	1000	3/4	3/8	3/4	3/8	3/4	3/8	0.065	A4TXV01
	E*1P29B	A80US2V090B16		15.10	12.50	28000	21500	1000	3/4	3/8	3/4	3/8	3/4	3/8	0.065	A4TXV01
	E*1P29A	A80US2V070A12		15.10	12.50	28000	21500	1000	3/4	3/8	3/4	3/8	3/4	3/8	0.065	A4TXV01
	E*1P29B	A80UH1E090B16		16.00	13.00	28000	21500	1000	3/4	3/8	3/4	3/8	3/4	3/8	0.065	A4TXV01
	E*1P29A	A80UH1E070B12		15.50	12.70	28000	21500	1000	3/4	3/8	3/4	3/8	3/4	3/8	0.065	A4TXV01
	E*1P29A	A80UH1E045A12		15.10	12.50	28000	21500	1000	3/4	3/8	3/4	3/8	3/4	3/8	0.065	A4TXV01
	E*1P29B	A80DS2V090B16		16.00	13.00	28000	21500	1000	3/4	3/8	3/4	3/8	3/4	3/8	0.065	A4TXV01
	E*1P29B	A80DS2V070A12		15.10	12.50	28000	21500	1000	3/4	3/8	3/4	3/8	3/4	3/8	0.065	A4TXV01
	E*1P29B	A80DF2V090B16		15.10	12.50	28000	21500	1000	3/4	3/8	3/4	3/8	3/4	3/8	0.065	A4TXV01
	E*1P29B	A80DF2V070A12		15.10	12.50	28000	21500	1000	3/4	3/8	3/4	3/8	3/4	3/8	0.065	A4TXV01
	E*1P29B	A80DF1E090B16		15.10	12.50	28000	21500	1000	3/4	3/8	3/4	3/8	3/4	3/8	0.065	A4TXV01
	E*1P29A	A80DF1E070B12		15.10	12.50	28000	21500	1000	3/4	3/8	3/4	3/8	3/4	3/8	0.065	A4TXV01
E*1P29A	A80DF1E045A12		15.10	12.50	28000	21500	1000	3/4	3/8	3/4	3/8	3/4	3/8	0.065	A4TXV01	

Note:

¹ Certified in accordance with Unitary Air Conditioner Certification Program, which is based on AHRI Standard 210/240

² Required to achieve AHRI rating. If NA (Not Applicable) is in the piston column, then TXV is required.

³ A blower time delay relay is required to achieve AHRI rating. This feature is standard on all Allied Air Enterprises furnace and AH products.

Cooling Performance with Air Handlers and Furnaces 30

Outdoor Model	Indoor Model	Variable Speed Furnace	SEER	EER	Rated ARI Capacity ¹ BTUH	Rated Sensible Capacity BTUH	CFM	Refrigerant Connection				Refrigerant Line Size		Indoor Expansion Device	
	Evaporator Coil or Air Handler ³							Outdoor		Indoor		Suction	Liquid	Piston ²	TXV
								Suction	Liquid	Suction	Liquid				
4SCU14LE130P-4	E*1P29B	L83UF1V84/95E14	14.50	12.00	28000	21500	1000	3/4	3/8	3/4	3/8	3/4	3/8	0.065	A4TXV01
	E*1P29B	L83B*1V84/95E14	14.50	12.00	28000	21500	1000	3/4	3/8	3/4	3/8	3/4	3/8	0.065	A4TXV01
	E*1P36C	EFV16CC	15.10	12.50	28000	21500	1000	3/4	3/8	3/4	3/8	3/4	3/8	0.065	A4TXV01
	E*1P36B	EFV12BC	15.10	12.50	28000	21500	1000	3/4	3/8	3/4	3/8	3/4	3/8	0.065	A4TXV01
	E*1P36C	A97USMV090C16	15.10	12.50	28000	21500	1000	3/4	3/8	3/4	3/8	3/4	3/8	0.065	A4TXV01
	E*1P36C	A97USMV090C12	15.10	12.50	28000	21500	1000	3/4	3/8	3/4	3/8	3/4	3/8	0.065	A4TXV01
	E*1P36B	A97UMV070B12	16.00	13.00	28000	21500	1000	3/4	3/8	3/4	3/8	3/4	3/8	0.065	A4TXV01
	E*1P36C	A97DSMV090C16	15.10	12.50	28000	21500	1000	3/4	3/8	3/4	3/8	3/4	3/8	0.065	A4TXV01
	E*1P36B	A97DSMV070B12	15.10	12.50	28000	21500	1000	3/4	3/8	3/4	3/8	3/4	3/8	0.065	A4TXV01
	E*1P36C	A95UH2V090C16	16.00	13.00	28000	21500	1000	3/4	3/8	3/4	3/8	3/4	3/8	0.065	A4TXV01
	E*1P36C	A95UH2V090C12	16.00	13.00	28000	21500	1000	3/4	3/8	3/4	3/8	3/4	3/8	0.065	A4TXV01
	E*1P36B	A95UH2V070B12	15.10	12.50	28000	21500	1000	3/4	3/8	3/4	3/8	3/4	3/8	0.065	A4TXV01
	E*1P36B	A95UH2V045B12	15.10	12.50	28000	21500	1000	3/4	3/8	3/4	3/8	3/4	3/8	0.065	A4TXV01
	E*1P36B	A95UH2E070B12	15.10	12.50	28000	21500	1000	3/4	3/8	3/4	3/8	3/4	3/8	0.065	A4TXV01
	E*1P36B	A95UH2E045B12	15.10	12.50	28000	21500	1000	3/4	3/8	3/4	3/8	3/4	3/8	0.065	A4TXV01
	E*1P36C	A95UH1E090C16	15.10	12.50	28000	21500	1000	3/4	3/8	3/4	3/8	3/4	3/8	0.065	A4TXV01
	E*1P36B	A95UH1E070B12	15.10	12.50	28000	21500	1000	3/4	3/8	3/4	3/8	3/4	3/8	0.065	A4TXV01
	E*1P36B	A95UH1E045B12	15.10	12.50	28000	21500	1000	3/4	3/8	3/4	3/8	3/4	3/8	0.065	A4TXV01
	E*1P36C	A95DF2V110C20	15.10	12.50	28000	21500	1000	3/4	3/8	3/4	3/8	3/4	3/8	0.065	A4TXV01
	E*1P36C	A95DF2V090C20	15.10	12.50	28000	21500	1000	3/4	3/8	3/4	3/8	3/4	3/8	0.065	A4TXV01
	E*1P36B	A95DF2V070B16	15.10	12.50	28000	21500	1000	3/4	3/8	3/4	3/8	3/4	3/8	0.065	A4TXV01
	E*1P36B	A95DF2V045B12	15.10	12.50	28000	21500	1000	3/4	3/8	3/4	3/8	3/4	3/8	0.065	A4TXV01
	E*1P36B	A95DF2E070B16	15.10	12.50	28000	21500	1000	3/4	3/8	3/4	3/8	3/4	3/8	0.065	A4TXV01
	E*1P36B	A95DF2E045B12	15.10	12.50	28000	21500	1000	3/4	3/8	3/4	3/8	3/4	3/8	0.065	A4TXV01
	E*1P36C	A95DF1E090C16	15.10	12.00	28000	21500	1000	3/4	3/8	3/4	3/8	3/4	3/8	0.065	A4TXV01
	E*1P36B	A95DF1E070B16	15.10	12.50	28000	21500	1000	3/4	3/8	3/4	3/8	3/4	3/8	0.065	A4TXV01
	E*1P36B	A95DF1E045B12	15.10	12.50	28000	21500	1000	3/4	3/8	3/4	3/8	3/4	3/8	0.065	A4TXV01
	E*1P36C	A80US2V090C20	15.10	12.50	28000	21500	1000	3/4	3/8	3/4	3/8	3/4	3/8	0.065	A4TXV01
	E*1P36B	A80US2V090B16	15.10	12.50	28000	21500	1000	3/4	3/8	3/4	3/8	3/4	3/8	0.065	A4TXV01
	E*1P36B	A80US2V090B12	15.10	12.50	28000	21500	1000	3/4	3/8	3/4	3/8	3/4	3/8	0.065	A4TXV01

Note:

¹ Certified in accordance with Unitary Air Conditioner Certification Program, which is based on AHRI Standard 210/240

² Required to achieve AHRI rating. If NA (Not Applicable) is in the piston column, then TXV is required.

³ A blower time delay relay is required to achieve AHRI rating. This feature is standard on all Allied Air Enterprises furnace and AH products.

Cooling Performance with Air Handlers and Furnaces 30

Outdoor Model	Indoor Model	Variable Speed Furnace	SEER	EER	Rated ARI Capacity ¹ BTUH	Rated Sensible Capacity BTUH	CFM	Refrigerant Connection				Refrigerant Line Size		Indoor Expansion Device	
	Evaporator Coil or Air Handler ³							Outdoor		Indoor		Suction	Liquid	Piston ²	TXV
								Suction	Liquid	Suction	Liquid				
4SCU14LE130P-4	E*1P36A	A80US2V070A12	15.10	12.50	28000	21500	1000	3/4	3/8	3/4	3/8	3/4	3/8	0.065	A4TXV01
	E*1P36B	A80UH1E090B16	16.00	13.00	28000	21500	1000	3/4	3/8	3/4	3/8	3/4	3/8	0.065	A4TXV01
	E*1P36B	A80UH1E070B12	15.50	12.70	28000	21500	1000	3/4	3/8	3/4	3/8	3/4	3/8	0.065	A4TXV01
	E*1P36A	A80UH1E045A12	15.10	12.50	28000	21500	1000	3/4	3/8	3/4	3/8	3/4	3/8	0.065	A4TXV01
	E*1P36C	A80DS2V110C20	15.10	12.50	28000	21500	1000	3/4	3/8	3/4	3/8	3/4	3/8	0.065	A4TXV01
	E*1P36B	A80DS2V090B16	16.00	13.00	28000	21500	1000	3/4	3/8	3/4	3/8	3/4	3/8	0.065	A4TXV01
	E*1P36A	A80DS2V070A12	15.10	12.50	28000	21500	1000	3/4	3/8	3/4	3/8	3/4	3/8	0.065	A4TXV01
	E*1P36C	A80DF2V110C20	15.10	12.50	28000	21500	1000	3/4	3/8	3/4	3/8	3/4	3/8	0.065	A4TXV01
	E*1P36B	A80DF2V090B16	15.10	12.50	28000	21500	1000	3/4	3/8	3/4	3/8	3/4	3/8	0.065	A4TXV01
	E*1P36A	A80DF2V070A12	15.10	12.50	28000	21500	1000	3/4	3/8	3/4	3/8	3/4	3/8	0.065	A4TXV01
	E*1P36B	A80DF1E090B16	15.10	12.50	28000	21500	1000	3/4	3/8	3/4	3/8	3/4	3/8	0.065	A4TXV01
	E*1P36B	A80DF1E070B12	15.10	12.50	28000	21500	1000	3/4	3/8	3/4	3/8	3/4	3/8	0.065	A4TXV01
	E*1P36A	A80DF1E045A12	15.10	12.50	28000	21500	1000	3/4	3/8	3/4	3/8	3/4	3/8	0.065	A4TXV01
	E*1P36B	L83UF1V84/95E14	15.10	12.50	28000	21500	1000	3/4	3/8	3/4	3/8	3/4	3/8	0.065	A4TXV01
	E*1P36B	L83B*1V84/95E14	15.10	12.50	28000	21500	1000	3/4	3/8	3/4	3/8	3/4	3/8	0.065	A4TXV01
	E*1P43B	A97USMV070B12	16.00	13.00	28000	21500	1000	3/4	3/8	3/4	3/8	3/4	3/8	0.065	A4TXV01
	E*1P43C	A95UH2V090C16	16.00	13.00	28000	21500	1000	3/4	3/8	3/4	3/8	3/4	3/8	0.065	A4TXV01
	E*1P43C	A95UH2V090C12	16.00	13.00	28000	21500	1000	3/4	3/8	3/4	3/8	3/4	3/8	0.065	A4TXV01
	E*1P43B	A95UH2V070B12	15.10	12.50	28000	21500	1000	3/4	3/8	3/4	3/8	3/4	3/8	0.065	A4TXV01
	E*1P43B	A95UH2V045B12	15.10	12.50	28000	21500	1000	3/4	3/8	3/4	3/8	3/4	3/8	0.065	A4TXV01
	E*1P43B	A95UH2E070B12	14.50	12.00	28000	21500	1000	3/4	3/8	3/4	3/8	3/4	3/8	0.065	A4TXV01
	E*1P43B	A95UH2E045B12	15.10	12.50	28000	21500	1000	3/4	3/8	3/4	3/8	3/4	3/8	0.065	A4TXV01
	E*1P43C	A95UH1E090C16	15.10	12.50	28000	21500	1000	3/4	3/8	3/4	3/8	3/4	3/8	0.065	A4TXV01
	E*1P43B	A95UH1E070B12	15.10	12.50	28000	21500	1000	3/4	3/8	3/4	3/8	3/4	3/8	0.065	A4TXV01
	E*1P43B	A95UH1E045B12	15.10	12.50	28000	21500	1000	3/4	3/8	3/4	3/8	3/4	3/8	0.065	A4TXV01
	E*1P43C	A95DF2V110C20	15.10	12.50	28000	21500	1000	3/4	3/8	3/4	3/8	3/4	3/8	0.065	A4TXV01
	E*1P43C	A95DF2V090C20	15.10	12.50	28000	21500	1000	3/4	3/8	3/4	3/8	3/4	3/8	0.065	A4TXV01
	E*1P43B	A95DF2V070B16	15.10	12.50	28000	21500	1000	3/4	3/8	3/4	3/8	3/4	3/8	0.065	A4TXV01
	E*1P43B	A95DF2V045B12	15.10	12.50	28000	21500	1000	3/4	3/8	3/4	3/8	3/4	3/8	0.065	A4TXV01
	E*1P43B	A95DF2E070B16	15.10	12.50	28000	21500	1000	3/4	3/8	3/4	3/8	3/4	3/8	0.065	A4TXV01

Note:

¹ Certified in accordance with Unitary Air Conditioner Certification Program, which is based on AHRI Standard 210/240

² Required to achieve AHRI rating. If NA (Not Applicable) is in the piston column, then TXV is required.

³ A blower time delay relay is required to achieve AHRI rating. This feature is standard on all Allied Air Enterprises furnace and AH products.

Cooling Performance with Air Handlers and Furnaces 30

Outdoor Model	Indoor Model	Variable Speed Furnace	SEER	EER	Rated ARI Capacity ¹ BTUH	Rated Sensible Capacity BTUH	CFM	Refrigerant Connection				Refrigerant Line Size		Indoor Expansion Device	
	Evaporator Coil or Air Handler ³							Outdoor		Indoor		Suction	Liquid	Piston ²	TXV
								Suction	Liquid	Suction	Liquid				
4SCU14LE130P-4	E*1P43B	A95DF2E045B12	14.50	12.00	28000	21500	1000	3/4	3/8	3/4	3/8	3/4	3/8	0.065	A4TXV01
	E*1P43C	A95DF1E090C16	15.10	12.50	28000	21500	1000	3/4	3/8	3/4	3/8	3/4	3/8	0.065	A4TXV01
	E*1P43B	A95DF1E070B16	15.10	12.50	28000	21500	1000	3/4	3/8	3/4	3/8	3/4	3/8	0.065	A4TXV01
	E*1P43B	A95DF1E045B12	15.10	12.50	28000	21500	1000	3/4	3/8	3/4	3/8	3/4	3/8	0.065	A4TXV01
	E*1P43B	A80US2V090B16	15.10	12.50	28000	21500	1000	3/4	3/8	3/4	3/8	3/4	3/8	0.065	A4TXV01
	E*1P43B	A80US2V090B12	16.00	13.00	28000	21500	1000	3/4	3/8	3/4	3/8	3/4	3/8	0.065	A4TXV01
	E*1P43B	A80UH1E090B16	16.00	13.00	28000	21500	1000	3/4	3/8	3/4	3/8	3/4	3/8	0.065	A4TXV01
	E*1P43B	A80UH1E070B12	15.50	12.70	28000	21500	1000	3/4	3/8	3/4	3/8	3/4	3/8	0.065	A4TXV01
	E*1P43B	A80DF1E090B16	15.10	12.50	28000	21500	1000	3/4	3/8	3/4	3/8	3/4	3/8	0.065	A4TXV01
	E*1P43B	A80DF1E070B12	15.10	12.50	28000	21500	1000	3/4	3/8	3/4	3/8	3/4	3/8	0.065	A4TXV01
	E*1P43B	L83UF1V84/95E14	14.50	12.00	28000	21500	1000	3/4	3/8	3/4	3/8	3/4	3/8	0.065	A4TXV01
	E*1P43B	L83UF1V57/72E12	14.50	12.00	28000	21500	1000	3/4	3/8	3/4	3/8	3/4	3/8	0.065	A4TXV01
	E*1P43B	L83B*1V84/95E14	15.10	12.50	28000	21500	1000	3/4	3/8	3/4	3/8	3/4	3/8	0.065	A4TXV01

Note:

¹ Certified in accordance with Unitary Air Conditioner Certification Program, which is based on AHRI Standard 210/240

² Required to achieve AHRI rating. If NA (Not Applicable) is in the piston column, then TXV is required.

³ A blower time delay relay is required to achieve AHRI rating. This feature is standard on all Allied Air Enterprises furnace and AH products.

Cooling Performance with Air Handlers and Furnaces 36

Outdoor Model	Indoor Model	Variable Speed Furnace	SEER	EER	Rated ARI Capacity ¹ BTUH	Rated Sensible Capacity BTUH	CFM	Refrigerant Connection				Refrigerant Line Size		Indoor Expansion Device		
	Evaporator Coil or Air Handler ³							Outdoor		Indoor		Suction	Liquid	Piston ²	TXV	
								Suction	Liquid	Suction	Liquid					
4SCU14LE136P-4	BCE3M36C****P		13.50	11.50	33000	24800	1200	7/8	3/8	7/8	3/8	7/8	3/8	0.071	A4TXV01	
	BCE3M42C****P		14.00	12.00	34000	24800	1200	7/8	3/8	7/8	3/8	7/8	3/8	0.071	A4TXV01	
	BCS2M36V00NA1P		15.10	12.50	34000	24800	1200	7/8	3/8	7/8	3/8	7/8	3/8	0.071	A4TXV01	
	BCS2M42V00NA1P		15.00	12.50	34000	24800	1200	7/8	3/8	7/8	3/8	7/8	3/8	0.071	A4TXV01	
	BCS2M48V00NA1P		15.00	12.50	34000	24800	1200	7/8	3/8	7/8	3/8	7/8	3/8	0.071	A4TXV01	
	BCE3M36E****X		15.1	12.5	33000	24800	1200	7/8	3/8	7/8	3/8	7/8	3/8	NA	FACTORY INSTALLED A4TXV01	
	E*1P36C	EFV16CC		15.10	12.50	34000	24800	1200	7/8	3/8	7/8	3/8	7/8	3/8	0.071	A4TXV01
	E*1P36B	EFV12BC		15.10	12.50	34000	24800	1200	7/8	3/8	7/8	3/8	7/8	3/8	0.071	A4TXV01
	E*1P36C	A97USMV110C20		15.10	12.50	34000	24800	1200	7/8	3/8	7/8	3/8	7/8	3/8	0.071	A4TXV01
	E*1P36C	A97USMV090C16		15.10	12.50	34000	24800	1200	7/8	3/8	7/8	3/8	7/8	3/8	0.071	A4TXV01
	E*1P36C	A97USMV090C12		15.10	12.50	34000	24800	1200	7/8	3/8	7/8	3/8	7/8	3/8	0.071	A4TXV01
	E*1P36B	A97USMV070B12		14.50	12.00	34000	24800	1200	7/8	3/8	7/8	3/8	7/8	3/8	0.071	A4TXV01
	E*1P36C	A97DSMV110C20		14.50	12.00	34000	24800	1200	7/8	3/8	7/8	3/8	7/8	3/8	0.071	A4TXV01
	E*1P36C	A97DSMV090C20		14.50	12.00	34000	24800	1200	7/8	3/8	7/8	3/8	7/8	3/8	0.071	A4TXV01
	E*1P36C	A97DSMV090C16		14.50	12.00	34000	24800	1200	7/8	3/8	7/8	3/8	7/8	3/8	0.071	A4TXV01
	E*1P36B	A97DSMV070B12		14.50	12.00	34000	24800	1200	7/8	3/8	7/8	3/8	7/8	3/8	0.071	A4TXV01
	E*1P36C	A95UH2V110C20		15.10	12.50	34000	24800	1200	7/8	3/8	7/8	3/8	7/8	3/8	0.071	A4TXV01
	E*1P36C	A95UH2V110C16		15.10	12.50	34000	24800	1200	7/8	3/8	7/8	3/8	7/8	3/8	0.071	A4TXV01
	E*1P36C	A95UH2V090C20		15.10	12.50	34000	24800	1200	7/8	3/8	7/8	3/8	7/8	3/8	0.071	A4TXV01
	E*1P36C	A95UH2V090C16		15.10	12.50	34000	24800	1200	7/8	3/8	7/8	3/8	7/8	3/8	0.071	A4TXV01
	E*1P36C	A95UH2V090C12		15.10	12.50	34000	24800	1200	7/8	3/8	7/8	3/8	7/8	3/8	0.071	A4TXV01
	E*1P36B	A95UH2V070B12		14.50	12.50	34000	24800	1200	7/8	3/8	7/8	3/8	7/8	3/8	0.071	A4TXV01
	E*1P36B	A95UH2V045B12		14.50	12.00	34000	24800	1200	7/8	3/8	7/8	3/8	7/8	3/8	0.071	A4TXV01
	E*1P36C	A95UH2E110C20		15.10	12.50	34000	24800	1200	7/8	3/8	7/8	3/8	7/8	3/8	0.071	A4TXV01
	E*1P36C	A95UH2E090C16		15.10	12.50	34000	24800	1200	7/8	3/8	7/8	3/8	7/8	3/8	0.071	A4TXV01
	E*1P36C	A95UH1E110C20		15.10	12.50	34000	24800	1200	7/8	3/8	7/8	3/8	7/8	3/8	0.071	A4TXV01
	E*1P36C	A95UH1E090C16		15.10	12.50	34000	24800	1200	7/8	3/8	7/8	3/8	7/8	3/8	0.071	A4TXV01
	E*1P36C	A95DF2V110C20		15.10	12.50	34000	24800	1200	7/8	3/8	7/8	3/8	7/8	3/8	0.071	A4TXV01
	E*1P36C	A95DF2V090C20		14.50	12.00	34000	24800	1200	7/8	3/8	7/8	3/8	7/8	3/8	0.071	A4TXV01
	E*1P36B	A95DF2V045B12		14.50	12.00	34000	24800	1200	7/8	3/8	7/8	3/8	7/8	3/8	0.071	A4TXV01
E*1P36C	A95DF2E110C20		15.10	12.50	34000	24800	1200	7/8	3/8	7/8	3/8	7/8	3/8	0.071	A4TXV01	

Note:

¹ Certified in accordance with Unitary Air Conditioner Certification Program, which is based on AHRI Standard 210/240

² Required to achieve AHRI rating. If NA (Not Applicable) is in the piston column, then TXV is required.

³ A blower time delay relay is required to achieve AHRI rating. This feature is standard on all Allied Air Enterprises furnace and AH products.

Cooling Performance with Air Handlers and Furnaces 36

Outdoor Model	Indoor Model	Variable Speed Furnace	SEER	EER	Rated ARI Capacity ¹ BTUH	Rated Sensible Capacity BTUH	CFM	Refrigerant Connection				Refrigerant Line Size		Indoor Expansion Device	
	Evaporator Coil or Air Handler ³							Outdoor		Indoor		Suction	Liquid	Piston ²	TXV
								Suction	Liquid	Suction	Liquid				
4SCU14LE136P-4	E*1P36C	A95DF2E090C16	15.10	12.50	34000	24800	1200	7/8	3/8	7/8	3/8	7/8	3/8	0.071	A4TXV01
	E*1P36B	A95DF2E070B16	15.10	12.50	34000	24800	1150	7/8	3/8	7/8	3/8	7/8	3/8	0.071	A4TXV01
	E*1P36C	A95DF1E110C20	15.10	12.50	34000	24800	1200	7/8	3/8	7/8	3/8	7/8	3/8	0.071	A4TXV01
	E*1P36C	A95DF1E090C16	15.10	12.50	34000	24800	1200	7/8	3/8	7/8	3/8	7/8	3/8	0.071	A4TXV01
	E*1P36B	A95DF1E070B16	14.50	12.00	34000	24800	1200	7/8	3/8	7/8	3/8	7/8	3/8	0.071	A4TXV01
	E*1P36C	A80US2V110C20	14.50	12.00	34000	24800	1200	7/8	3/8	7/8	3/8	7/8	3/8	0.071	A4TXV01
	E*1P36C	A80US2V090C20	14.50	12.00	34000	24800	1200	7/8	3/8	7/8	3/8	7/8	3/8	0.071	A4TXV01
	E*1P36B	A80US2V090B16	14.50	12.00	34000	24800	1200	7/8	3/8	7/8	3/8	7/8	3/8	0.071	A4TXV01
	E*1P36B	A80US2V090B12	14.50	12.00	34000	24800	1170	7/8	3/8	7/8	3/8	7/8	3/8	0.071	A4TXV01
	E*1P36C	A80UH1E110C20	16.00	13.00	34000	24800	1200	7/8	3/8	7/8	3/8	7/8	3/8	0.071	A4TXV01
	E*1P36C	A80UH1E090C20	14.50	12.00	34000	24800	1200	7/8	3/8	7/8	3/8	7/8	3/8	0.071	A4TXV01
	E*1P36B	A80UH1E090B16	14.50	12.00	34000	24800	1200	7/8	3/8	7/8	3/8	7/8	3/8	0.071	A4TXV01
	E*1P36B	A80UH1E070B12	16.00	13.00	34000	24800	1200	7/8	3/8	7/8	3/8	7/8	3/8	0.071	A4TXV01
	E*1P36C	A80DS2V110C20	15.10	12.00	34000	24800	1200	7/8	3/8	7/8	3/8	7/8	3/8	0.071	A4TXV01
	E*1P36B	A80DS2V090B16	14.50	12.00	34000	24800	1200	7/8	3/8	7/8	3/8	7/8	3/8	0.071	A4TXV01
	E*1P36C	A80DF2V110C20	15.10	12.00	34000	24800	1200	7/8	3/8	7/8	3/8	7/8	3/8	0.071	A4TXV01
	E*1P36B	A80DF2V090B16	14.50	12.00	34000	24800	1200	7/8	3/8	7/8	3/8	7/8	3/8	0.071	A4TXV01
	E*1P36C	A80DF1E110C20	14.50	12.00	34000	24800	1200	7/8	3/8	7/8	3/8	7/8	3/8	0.071	A4TXV01
	E*1P36B	A80DF1E090B16	15.10	12.50	34000	24800	1200	7/8	3/8	7/8	3/8	7/8	3/8	0.071	A4TXV01
	E*1P36B	A80DF1E070B12	14.50	12.00	34000	24800	1200	7/8	3/8	7/8	3/8	7/8	3/8	0.071	A4TXV01
	E*1P36B	L83UF1V84/95E14	14.50	12.50	34000	24800	1200	7/8	3/8	7/8	3/8	7/8	3/8	0.071	A4TXV01
	E*1P36B	L83B*1V84/95E14	14.50	12.50	34000	24800	1200	7/8	3/8	7/8	3/8	7/8	3/8	0.071	A4TXV01
	E*1P36B	L83B*1V112/125F20	15.10	12.50	34000	24800	1200	7/8	3/8	7/8	3/8	7/8	3/8	0.071	A4TXV01
	E*1P43C	A97USMV110C20	16.00	13.00	34000	24800	1200	7/8	3/8	7/8	3/8	7/8	3/8	0.071	A4TXV01
	E*1P43C	A97USMV090C16	15.10	12.50	34000	24800	1200	7/8	3/8	7/8	3/8	7/8	3/8	0.071	A4TXV01
	E*1P43C	A97USMV090C12	15.10	12.50	34000	24800	1200	7/8	3/8	7/8	3/8	7/8	3/8	0.071	A4TXV01
	E*1P43C	A97USMV070B12	14.50	12.00	34000	24800	1200	7/8	3/8	7/8	3/8	7/8	3/8	0.071	A4TXV01
	E*1P43C	A97DSMV110C20	15.10	12.50	34000	24800	1200	7/8	3/8	7/8	3/8	7/8	3/8	0.071	A4TXV01
	E*1P43C	A97DSMV090C20	15.10	12.50	34000	24800	1200	7/8	3/8	7/8	3/8	7/8	3/8	0.071	A4TXV01
	E*1P43C	A97DSMV090C16	15.10	12.50	34000	24800	1200	7/8	3/8	7/8	3/8	7/8	3/8	0.071	A4TXV01

Note:

¹ Certified in accordance with Unitary Air Conditioner Certification Program, which is based on AHRI Standard 210/240

² Required to achieve AHRI rating. If NA (Not Applicable) is in the piston column, then TXV is required.

³ A blower time delay relay is required to achieve AHRI rating. This feature is standard on all Allied Air Enterprises furnace and AH products.

Cooling Performance with Air Handlers and Furnaces 36

Outdoor Model	Indoor Model	Variable Speed Furnace	SEER	EER	Rated ARI Capacity ¹ BTUH	Rated Sensible Capacity BTUH	CFM	Refrigerant Connection				Refrigerant Line Size		Indoor Expansion Device	
	Evaporator Coil or Air Handler ³							Outdoor		Indoor		Suction	Liquid	Piston ²	TXV
								Suction	Liquid	Suction	Liquid				
4SCU14LE136P-4	E*1P43C	A97DSMV070B12	14.50	12.00	34000	24800	1200	7/8	3/8	7/8	3/8	7/8	3/8	0.071	A4TXV01
	E*1P43C	A95UH2V110C20	15.10	12.50	34000	24800	1200	7/8	3/8	7/8	3/8	7/8	3/8	0.071	A4TXV01
	E*1P43C	A95UH2V110C16	15.10	12.50	34000	24800	1200	7/8	3/8	7/8	3/8	7/8	3/8	0.071	A4TXV01
	E*1P43C	A95UH2V110C16	16.00	13.00	34000	24800	1200	7/8	3/8	7/8	3/8	7/8	3/8	0.071	A4TXV01
	E*1P43C	A95UH2V090C20	15.10	12.50	34000	24800	1200	7/8	3/8	7/8	3/8	7/8	3/8	0.071	A4TXV01
	E*1P43C	A95UH2V090C16	15.10	12.50	34000	24800	1200	7/8	3/8	7/8	3/8	7/8	3/8	0.071	A4TXV01
	E*1P43C	A95UH2V090C12	15.10	12.50	34000	24800	1200	7/8	3/8	7/8	3/8	7/8	3/8	0.071	A4TXV01
	E*1P43B	A95UH2V070B12	14.50	12.00	34000	24800	1200	7/8	3/8	7/8	3/8	7/8	3/8	0.071	A4TXV01
	E*1P43B	A95UH2V045B12	14.50	12.00	34000	24800	1200	7/8	3/8	7/8	3/8	7/8	3/8	0.071	A4TXV01
	E*1P43C	A95UH2E110C20	15.10	12.50	34000	24800	1200	7/8	3/8	7/8	3/8	7/8	3/8	0.071	A4TXV01
	E*1P43C	A95UH2E090C16	15.10	12.50	34000	24800	1200	7/8	3/8	7/8	3/8	7/8	3/8	0.071	A4TXV01
	E*1P43C	A95UH1E110C20	15.10	12.50	34000	24800	1200	7/8	3/8	7/8	3/8	7/8	3/8	0.071	A4TXV01
	E*1P43C	A95UH1E090C16	15.10	12.50	34000	24800	1200	7/8	3/8	7/8	3/8	7/8	3/8	0.071	A4TXV01
	E*1P43B	A95UH1E070B12	14.50	12.00	34000	24800	1200	7/8	3/8	7/8	3/8	7/8	3/8	0.071	A4TXV01
	E*1P43C	A95DF2V110C20	15.10	12.50	34000	24800	1200	7/8	3/8	7/8	3/8	7/8	3/8	0.071	A4TXV01
	E*1P43C	A95DF2V090C20	15.10	12.50	34000	24800	1200	7/8	3/8	7/8	3/8	7/8	3/8	0.071	A4TXV01
	E*1P43B	A95DF2V070B16	14.50	12.00	34000	24800	1200	7/8	3/8	7/8	3/8	7/8	3/8	0.071	A4TXV01
	E*1P43B	A95DF2V045B12	14.50	12.00	34000	24800	1200	7/8	3/8	7/8	3/8	7/8	3/8	0.071	A4TXV01
	E*1P43C	A95DF2E110C20	15.10	12.50	34000	24800	1200	7/8	3/8	7/8	3/8	7/8	3/8	0.071	A4TXV01
	E*1P43C	A95DF2E090C16	15.10	12.50	34000	24800	1200	7/8	3/8	7/8	3/8	7/8	3/8	0.071	A4TXV01
	E*1P43B	A95DF2E070B16	15.10	12.50	34000	24800	1150	7/8	3/8	7/8	3/8	7/8	3/8	0.071	A4TXV01
	E*1P43C	A95DF1E110C20	15.10	12.50	34000	24800	1200	7/8	3/8	7/8	3/8	7/8	3/8	0.071	A4TXV01
	E*1P43C	A95DF1E090C16	15.10	12.50	34000	24800	1200	7/8	3/8	7/8	3/8	7/8	3/8	0.071	A4TXV01
	E*1P43C	A80US2V110C20	14.50	12.00	34000	24800	1200	7/8	3/8	7/8	3/8	7/8	3/8	0.071	A4TXV01
	E*1P43C	A80US2V090C20	16.00	13.00	34000	24800	1250	7/8	3/8	7/8	3/8	7/8	3/8	0.071	A4TXV01
	E*1P43B	A80US2V090B16	14.50	12.00	34000	24800	1200	7/8	3/8	7/8	3/8	7/8	3/8	0.071	A4TXV01
	E*1P43B	A80US2V090B12	14.50	12.00	34000	24800	1170	7/8	3/8	7/8	3/8	7/8	3/8	0.071	A4TXV01
	E*1P43C	A80UH1E110C20	16.00	13.00	34000	24800	1200	7/8	3/8	7/8	3/8	7/8	3/8	0.071	A4TXV01
	E*1P43C	A80UH1E090C20	16.00	13.00	34000	24800	1190	7/8	3/8	7/8	3/8	7/8	3/8	0.071	A4TXV01
	E*1P43B	A80UH1E090B16	15.10	12.50	34000	24800	1200	7/8	3/8	7/8	3/8	7/8	3/8	0.071	A4TXV01

Note:

¹ Certified in accordance with Unitary Air Conditioner Certification Program, which is based on AHRI Standard 210/240

² Required to achieve AHRI rating. If NA (Not Applicable) is in the piston column, then TXV is required.

³ A blower time delay relay is required to achieve AHRI rating. This feature is standard on all Allied Air Enterprises furnace and AH products.

Cooling Performance with Air Handlers and Furnaces 36

Outdoor Model	Indoor Model	Variable Speed Furnace	SEER	EER	Rated ARI Capacity ¹ BTUH	Rated Sensible Capacity BTUH	CFM	Refrigerant Connection				Refrigerant Line Size		Indoor Expansion Device	
	Evaporator Coil or Air Handler ³							Outdoor		Indoor		Suction	Liquid	Piston ²	TXV
								Suction	Liquid	Suction	Liquid				
4SCU14LE136P-4	E*1P43B	A80UH1E070B12	16.00	13.00	34000	24800	1200	7/8	3/8	7/8	3/8	7/8	3/8	0.071	A4TXV01
	E*1P43C	A80DS2V110C20	14.50	12.00	34000	24800	1200	7/8	3/8	7/8	3/8	7/8	3/8	0.071	A4TXV01
	E*1P43B	A80DS2V090B16	14.50	12.00	34000	24800	1200	7/8	3/8	7/8	3/8	7/8	3/8	0.071	A4TXV01
	E*1P43B	A80DF2V090B16	14.50	12.00	34000	24800	1200	7/8	3/8	7/8	3/8	7/8	3/8	0.071	A4TXV01
	E*1P43C	A80DF1E110C20	15.10	12.50	34000	24800	1200	7/8	3/8	7/8	3/8	7/8	3/8	0.071	A4TXV01
	E*1P43B	A80DF1E090B16	15.10	12.50	34000	24800	1200	7/8	3/8	7/8	3/8	7/8	3/8	0.071	A4TXV01
	E*1P43B	A80DF1E070B12	14.50	12.00	34000	24800	1200	7/8	3/8	7/8	3/8	7/8	3/8	0.071	A4TXV01
	E*1P43B	L83UF1V84/95E14	14.50	12.50	34000	24800	1200	7/8	3/8	7/8	3/8	7/8	3/8	0.071	A4TXV01
	E*1P43B	L83UF1V112/125F20	14.50	12.00	34000	24800	1200	7/8	3/8	7/8	3/8	7/8	3/8	0.071	A4TXV01
	E*1P43B	L83B*1V84/95E14	14.50	12.50	34000	24800	1200	7/8	3/8	7/8	3/8	7/8	3/8	0.071	A4TXV01
	E*1P43B	L83B*1V112/125F20	14.50	12.50	34000	24800	1200	7/8	3/8	7/8	3/8	7/8	3/8	0.071	A4TXV01
	E*1P48C	A95UH2V110C20	15.10	12.50	34000	24800	1200	7/8	3/8	7/8	3/8	7/8	3/8	0.071	A4TXV01
	E*1P48C	A95UH2V090C20	15.10	12.50	34000	24800	1200	7/8	3/8	7/8	3/8	7/8	3/8	0.071	A4TXV01
	E*1P48C	A95UH2V090C12	15.10	12.50	34000	24800	1200	7/8	3/8	7/8	3/8	7/8	3/8	0.071	A4TXV01
	E*1P48B	A95UH2V070B12	14.50	12.00	34000	24800	1200	7/8	3/8	7/8	3/8	7/8	3/8	0.071	A4TXV01
	E*1P48B	A95UH2V045B12	14.50	12.00	34000	24800	1200	7/8	3/8	7/8	3/8	7/8	3/8	0.071	A4TXV01
	E*1P48C	A95UH2E110C20	15.00	12.50	34000	24800	1200	7/8	3/8	7/8	3/8	7/8	3/8	0.071	A4TXV01
	E*1P48C	A95UH2E090C16	15.00	12.50	34000	24800	1200	7/8	3/8	7/8	3/8	7/8	3/8	0.071	A4TXV01
	E*1P48C	A95UH1E110C20	15.10	12.50	34000	24800	1200	7/8	3/8	7/8	3/8	7/8	3/8	0.071	A4TXV01
	E*1P48C	A95UH1E090C16	15.10	12.50	34000	24800	1200	7/8	3/8	7/8	3/8	7/8	3/8	0.071	A4TXV01
	E*1P48B	A95UH1E070B12	14.50	12.00	34000	24800	1200	7/8	3/8	7/8	3/8	7/8	3/8	0.071	A4TXV01
	E*1P48C	A95DF2V110C20	15.10	12.50	34000	24800	1200	7/8	3/8	7/8	3/8	7/8	3/8	0.071	A4TXV01
	E*1P48C	A95DF2V090C20	14.50	12.00	34000	24800	1200	7/8	3/8	7/8	3/8	7/8	3/8	0.071	A4TXV01
	E*1P48B	A95DF2V070B16	14.50	12.00	34000	24800	1200	7/8	3/8	7/8	3/8	7/8	3/8	0.071	A4TXV01
	E*1P48B	A95DF2V045B12	14.50	12.00	34000	24800	1200	7/8	3/8	7/8	3/8	7/8	3/8	0.071	A4TXV01
	E*1P48C	A95DF2E110C20	15.00	12.50	34000	24800	1200	7/8	3/8	7/8	3/8	7/8	3/8	0.071	A4TXV01
	E*1P48C	A95DF2E090C16	15.00	12.50	34000	24800	1200	7/8	3/8	7/8	3/8	7/8	3/8	0.071	A4TXV01
	E*1P48B	A95DF2E070B16	15.00	12.50	34000	24800	1150	7/8	3/8	7/8	3/8	7/8	3/8	0.071	A4TXV01
	E*1P48C	A95DF1E110C20	15.10	12.50	34000	24800	1200	7/8	3/8	7/8	3/8	7/8	3/8	0.071	A4TXV01
	E*1P48C	A95DF1E090C16	15.10	12.50	34000	24800	1200	7/8	3/8	7/8	3/8	7/8	3/8	0.071	A4TXV01

Note:

¹ Certified in accordance with Unitary Air Conditioner Certification Program, which is based on AHRI Standard 210/240

² Required to achieve AHRI rating. If NA (Not Applicable) is in the piston column, then TXV is required.

³ A blower time delay relay is required to achieve AHRI rating. This feature is standard on all Allied Air Enterprises furnace and AH products.

Cooling Performance with Air Handlers and Furnaces 36

Outdoor Model	Indoor Model	Variable Speed Furnace	SEER	EER	Rated ARI Capacity ¹ BTUH	Rated Sensible Capacity BTUH	CFM	Refrigerant Connection				Refrigerant Line Size		Indoor Expansion Device	
	Evaporator Coil or Air Handler ³							Outdoor		Indoor		Suction	Liquid	Piston ²	TXV
								Suction	Liquid	Suction	Liquid				
4SCU14LE136P-4	E*1P48B	A95DF1E070B16	14.50	12.00	34000	24800	1200	7/8	3/8	7/8	3/8	7/8	3/8	0.071	A4TXV01
	E*1P48C	A80US2V110C20	15.10	12.50	34000	24800	1200	7/8	3/8	7/8	3/8	7/8	3/8	0.071	A4TXV01
	E*1P48C	A80US2V090C20	15.10	12.50	34000	24800	1200	7/8	3/8	7/8	3/8	7/8	3/8	0.071	A4TXV01
	E*1P48B	A80US2V090B16	14.50	12.00	34000	24800	1200	7/8	3/8	7/8	3/8	7/8	3/8	0.071	A4TXV01
	E*1P48B	A80US2V090B12	14.50	12.00	34000	24800	1170	7/8	3/8	7/8	3/8	7/8	3/8	0.071	A4TXV01
	E*1P48C	A80UH1E110C20	16.00	13.00	34000	24800	1200	7/8	3/8	7/8	3/8	7/8	3/8	0.071	A4TXV01
	E*1P48C	A80UH1E090C20	15.10	12.50	34000	24800	1200	7/8	3/8	7/8	3/8	7/8	3/8	0.071	A4TXV01
	E*1P48B	A80UH1E090B16	14.50	12.00	34000	24800	1200	7/8	3/8	7/8	3/8	7/8	3/8	0.071	A4TXV01
	E*1P48B	A80UH1E070B12	16.00	13.00	34000	24800	1200	7/8	3/8	7/8	3/8	7/8	3/8	0.071	A4TXV01
	E*1P48C	A80DS2V110C20	15.10	12.50	34000	24800	1200	7/8	3/8	7/8	3/8	7/8	3/8	0.071	A4TXV01
	E*1P48B	A80DS2V090B16	15.10	12.50	34000	24800	1200	7/8	3/8	7/8	3/8	7/8	3/8	0.071	A4TXV01
	E*1P48C	A80DF2V110C20	15.10	12.50	34000	24800	1200	7/8	3/8	7/8	3/8	7/8	3/8	0.071	A4TXV01
	E*1P48B	A80DF2V090B16	15.10	12.50	34000	24800	1200	7/8	3/8	7/8	3/8	7/8	3/8	0.071	A4TXV01
	E*1P48C	A80DF1E110C20	15.10	12.50	34000	24800	1200	7/8	3/8	7/8	3/8	7/8	3/8	0.071	A4TXV01
	E*1P48B	A80DF1E090B16	15.10	12.50	34000	24800	1200	7/8	3/8	7/8	3/8	7/8	3/8	0.071	A4TXV01
	E*1P48B	A80DF1E070B12	14.50	12.00	34000	24800	1200	7/8	3/8	7/8	3/8	7/8	3/8	0.071	A4TXV01
	E*1P48B	L83UF1V84/95E14	14.50	12.50	34000	24800	1200	7/8	3/8	7/8	3/8	7/8	3/8	0.071	A4TXV01
	E*1P48B	L83B*1V84/95E14	14.50	12.50	34000	24800	1200	7/8	3/8	7/8	3/8	7/8	3/8	0.071	A4TXV01
	E*1P48B	L83B*1V112/125F20	14.50	12.50	34000	24800	1200	7/8	3/8	7/8	3/8	7/8	3/8	0.071	A4TXV01
	E*1P49C	A95UH2V110C20	15.10	12.50	34000	24800	1200	7/8	3/8	7/8	3/8	7/8	3/8	0.071	A4TXV01
	E*1P49C	A95UH2V090C20	15.10	12.50	34000	24800	1200	7/8	3/8	7/8	3/8	7/8	3/8	0.071	A4TXV01
	E*1P49C	A95UH2V090C12	15.10	12.50	34000	24800	1200	7/8	3/8	7/8	3/8	7/8	3/8	0.071	A4TXV01
	E*1P49C	A95UH2E110C20	15.10	12.50	34000	24800	1200	7/8	3/8	7/8	3/8	7/8	3/8	0.071	A4TXV01
	E*1P49C	A95UH2E090C16	15.10	12.50	34000	24800	1200	7/8	3/8	7/8	3/8	7/8	3/8	0.071	A4TXV01
	E*1P49C	A95UH1E110C20	15.10	12.50	34000	24800	1200	7/8	3/8	7/8	3/8	7/8	3/8	0.071	A4TXV01
	E*1P49C	A95UH1E090C16	15.10	12.50	34000	24800	1200	7/8	3/8	7/8	3/8	7/8	3/8	0.071	A4TXV01
	E*1P49C	A95DF2V110C20	15.10	12.50	34000	24800	1200	7/8	3/8	7/8	3/8	7/8	3/8	0.071	A4TXV01
	E*1P49C	A95DF2V090C20	15.10	12.50	34000	24800	1200	7/8	3/8	7/8	3/8	7/8	3/8	0.071	A4TXV01
	E*1P49C	A95DF2E110C20	15.10	12.50	34000	24800	1200	7/8	3/8	7/8	3/8	7/8	3/8	0.071	A4TXV01
	E*1P49C	A95DF2E090C16	15.10	12.50	34000	24800	1200	7/8	3/8	7/8	3/8	7/8	3/8	0.071	A4TXV01

Note:

¹ Certified in accordance with Unitary Air Conditioner Certification Program, which is based on AHRI Standard 210/240

² Required to achieve AHRI rating. If NA (Not Applicable) is in the piston column, then TXV is required.

³ A blower time delay relay is required to achieve AHRI rating. This feature is standard on all Allied Air Enterprises furnace and AH products.

Cooling Performance with Air Handlers and Furnaces 36

Outdoor Model	Indoor Model	Variable Speed Furnace	SEER	EER	Rated ARI Capacity ¹ BTUH	Rated Sensible Capacity BTUH	CFM	Refrigerant Connection				Refrigerant Line Size		Indoor Expansion Device	
	Evaporator Coil or Air Handler ³							Outdoor		Indoor		Suction	Liquid	Piston ²	TXV
								Suction	Liquid	Suction	Liquid				
4SCU14LE136P-4	E*1P49C	A95DF1E110C20	15.10	12.50	34000	24800	1200	7/8	3/8	7/8	3/8	7/8	3/8	0.071	A4TXV01
	E*1P49C	A95DF1E090C16	15.10	12.50	34000	24800	1200	7/8	3/8	7/8	3/8	7/8	3/8	0.071	A4TXV01
	E*1P49C	A80US2V110C20	15.10	12.50	34000	24800	1200	7/8	3/8	7/8	3/8	7/8	3/8	0.071	A4TXV01
	E*1P49C	A80US2V090C20	15.10	12.50	34000	24800	1200	7/8	3/8	7/8	3/8	7/8	3/8	0.071	A4TXV01
	E*1P49C	A80UH1E110C20	16.00	13.00	34000	24800	1200	7/8	3/8	7/8	3/8	7/8	3/8	0.071	A4TXV01
	E*1P49C	A80UH1E090C20	15.10	12.50	34000	24800	1200	7/8	3/8	7/8	3/8	7/8	3/8	0.071	A4TXV01
	E*1P49C	A80DS2V110C20	15.10	12.50	34000	24800	1200	7/8	3/8	7/8	3/8	7/8	3/8	0.071	A4TXV01
	E*1P49C	A80DF2V110C20	15.10	12.50	34000	24800	1200	7/8	3/8	7/8	3/8	7/8	3/8	0.071	A4TXV01
	E*1P49C	A80DF1E110C20	15.10	12.50	34000	24800	1200	7/8	3/8	7/8	3/8	7/8	3/8	0.071	A4TXV01
	E*1P49C	L83UF1V84/95E14	14.50	12.50	34000	24800	1200	7/8	3/8	7/8	3/8	7/8	3/8	0.071	A4TXV01
	E*1P49C	L83B*1V84/95E14	14.50	12.50	34000	24800	1200	7/8	3/8	7/8	3/8	7/8	3/8	0.071	A4TXV01
	E*1P49C	L83B*1V112/125F20	14.50	12.50	34000	24800	1200	7/8	3/8	7/8	3/8	7/8	3/8	0.071	A4TXV01

Note:

1 Certified in accordance with Unitary Air Conditioner Certification Program, which is based on AHRI Standard 210/240

2 Required to achieve AHRI rating. If NA (Not Applicable) is in the piston column, then TXV is required.

3 A blower time delay relay is required to achieve AHRI rating. This feature is standard on all Allied Air Enterprises furnace and AH products.

Cooling Performance with Air Handlers and Furnaces 41

Outdoor Model	Indoor Model	Variable Speed Furnace	SEER	EER	Rated ARI Capacity ¹ BTUH	Rated Sensible Capacity BTUH	CFM	Refrigerant Connection				Refrigerant Line Size		Indoor Expansion Device		
	Evaporator Coil or Air Handler ³							Outdoor		Indoor		Suction	Liquid	Piston ²	TXV	
								Suction	Liquid	Suction	Liquid					
4SCU14LE141P-4	BCE3M42C****P+H4TXV02		14.00	12.00	36000	30000	1350	7/8	3/8	7/8	3/8	7/8	3/8	0.074	A4TXV02	
	BCE3M48C****P+H4TXV02		14.50	12.00	36000	30000	1350	7/8	3/8	7/8	3/8	7/8	3/8	0.074	A4TXV02	
	BCS2M42500NA1P+A4TXV02		16.00	13.00	38000	30000	1400	7/8	3/8	7/8	3/8	7/8	3/8	0.074	A4TXV02	
	BCS2M42V00NA1P+A4TXV02		16.00	13.00	38000	30000	1400	7/8	3/8	7/8	3/8	7/8	3/8	0.074	A4TXV02	
	BCS2M48V00NA1P+A4TXV02		16.00	13.00	38000	30000	1400	7/8	3/8	7/8	3/8	7/8	3/8	0.074	A4TXV02	
	BCE3M42E****X		16.0	13.0	36000	30000	1400	7/8	3/8	7/8	3/8	7/8	3/8	NA	FACTORY INSTALLED A4TXV02	
	E(U,C,H)1P49C+A4TXV02	EFV16CC		15.50	12.70	38000	30000	1400	7/8	3/8	7/8	3/8	7/8	3/8	0.074	A4TXV02
	E(U,C,H)1P49C+A4TXV02	A97USMV110C20		15.10	12.50	38000	30000	1400	7/8	3/8	7/8	3/8	7/8	3/8	0.074	A4TXV02
	E(U,C,H)1P49C+A4TXV02	A97USMV090C20		15.10	12.50	38000	30000	1400	7/8	3/8	7/8	3/8	7/8	3/8	0.074	A4TXV02
	E(U,C,H)1P49C+A4TXV02	A97USMV090C16		15.10	12.50	38000	30000	1400	7/8	3/8	7/8	3/8	7/8	3/8	0.074	A4TXV02
	E(U,C,H)1P49C+A4TXV02	A97DSMV110C20		15.10	12.50	38000	30000	1420	7/8	3/8	7/8	3/8	7/8	3/8	0.074	A4TXV02
	E(U,C,H)1P49C+A4TXV02	A97DSMV090C20		15.10	12.50	38000	30000	1420	7/8	3/8	7/8	3/8	7/8	3/8	0.074	A4TXV02
	E(U,C,H)1P49C+A4TXV02	A97DSMV090C16		15.10	12.50	38000	30000	1400	7/8	3/8	7/8	3/8	7/8	3/8	0.074	A4TXV02
	E(U,C,H)1P49C+A4TXV02	A95UH2V110C20		15.10	12.50	38000	30000	1400	7/8	3/8	7/8	3/8	7/8	3/8	0.074	A4TXV02
	E(U,C,H)1P49C+A4TXV02	A95UH2V110C16		15.10	12.50	38000	30000	1400	7/8	3/8	7/8	3/8	7/8	3/8	0.074	A4TXV02
	E(U,C,H)1P49C+A4TXV02	A95UH2V090C20		15.10	12.50	38000	30000	1400	7/8	3/8	7/8	3/8	7/8	3/8	0.074	A4TXV02
	E(U,C,H)1P49C+A4TXV02	A95UH2V090C16		15.10	12.50	38000	30000	1400	7/8	3/8	7/8	3/8	7/8	3/8	0.074	A4TXV02
	E(U,C,H)1P49C+A4TXV02	A95UH2E110C20		15.10	12.50	38000	30000	1400	7/8	3/8	7/8	3/8	7/8	3/8	0.074	A4TXV02
	E(U,C,H)1P49C+A4TXV02	A95UH2E090C16		15.10	12.50	38000	30000	1350	7/8	3/8	7/8	3/8	7/8	3/8	0.074	A4TXV02
	E(U,C,H)1P49C+A4TXV02	A95UH2E090C16		16.00	13.00	38000	30000	1400	7/8	3/8	7/8	3/8	7/8	3/8	0.074	A4TXV02
	E(U,C,H)1P49C+A4TXV02	A95UH1E110C20		15.10	12.50	38000	30000	1400	7/8	3/8	7/8	3/8	7/8	3/8	0.074	A4TXV02
	E(U,C,H)1P49C+A4TXV02	A95UH1E090C16		14.50	12.00	38000	30000	1350	7/8	3/8	7/8	3/8	7/8	3/8	0.074	A4TXV02
	E(U,C,H)1P49C+A4TXV02	A95UH1E090C16		16.00	13.00	38000	30000	1400	7/8	3/8	7/8	3/8	7/8	3/8	0.074	A4TXV02
	E(U,C,H)1P49C+A4TXV02	A95DF2V110C20		15.10	12.50	38000	30000	1420	7/8	3/8	7/8	3/8	7/8	3/8	0.074	A4TXV02
	E(U,C,H)1P49C+A4TXV02	A95DF2V090C20		15.10	12.50	38000	30000	1420	7/8	3/8	7/8	3/8	7/8	3/8	0.074	A4TXV02
	E(U,C,H)1P49C+A4TXV02	A95DF2E110C20		15.10	12.50	38000	30000	1400	7/8	3/8	7/8	3/8	7/8	3/8	0.074	A4TXV02
	E(U,C,H)1P49C+A4TXV02	A95DF2E090C16		15.10	12.50	38000	30000	1350	7/8	3/8	7/8	3/8	7/8	3/8	0.074	A4TXV02
	E(U,C,H)1P49C+A4TXV02	A95DF1E110C20		15.10	12.50	38000	30000	1400	7/8	3/8	7/8	3/8	7/8	3/8	0.074	A4TXV02
	E(U,C,H)1P49C+A4TXV02	A80US2V110C20		15.10	12.50	38000	30000	1400	7/8	3/8	7/8	3/8	7/8	3/8	0.074	A4TXV02
	E(U,C,H)1P49C+A4TXV02	A80US2V090C20		16.00	13.00	38000	30000	1400	7/8	3/8	7/8	3/8	7/8	3/8	0.074	A4TXV02
	E(U,C,H)1P49C+A4TXV02	A80UH1E110C20		15.10	13.00	38000	30000	1400	7/8	3/8	7/8	3/8	7/8	3/8	0.074	A4TXV02

Note:

1 Certified in accordance with Unitary Air Conditioner Certification Program, which is based on AHRI Standard 210/240

2 Required to achieve AHRI rating. If NA (Not Applicable) is in the piston column, then TXV is required.

3 A blower time delay relay is required to achieve AHRI rating. This feature is standard on all Allied Air Enterprises furnace and AH products.

Cooling Performance with Air Handlers and Furnaces 41

Outdoor Model	Indoor Model	Variable Speed Furnace	SEER	EER	Rated ARI Capacity ¹ BTUH	Rated Sensible Capacity BTUH	CFM	Refrigerant Connection				Refrigerant Line Size		Indoor Expansion Device	
	Evaporator Coil or Air Handler ³							Outdoor		Indoor		Suction	Liquid	Piston ²	TXV
								Suction	Liquid	Suction	Liquid				
4SCU14LE141P-4	E(U,C,H)1P49C+A4TXV02	A80UH1E110C20	16.00	13.00	38000	30000	1370	7/8	3/8	7/8	3/8	7/8	3/8	0.074	A4TXV02
	E(U,C,H)1P49C+A4TXV02	A80UH1E090C20	15.10	13.00	38000	30000	1400	7/8	3/8	7/8	3/8	7/8	3/8	0.074	A4TXV02
	E(U,C,H)1P49C+A4TXV02	A80UH1E090C20	16.00	13.00	38000	30000	1370	7/8	3/8	7/8	3/8	7/8	3/8	0.074	A4TXV02
	E(U,C,H)1P49C+A4TXV02	A80DS2V110C20	15.10	12.50	38000	30000	1400	7/8	3/8	7/8	3/8	7/8	3/8	0.074	A4TXV02
	E(U,C,H)1P49C+A4TXV02	A80DF2V110C20	15.10	12.50	38000	30000	1400	7/8	3/8	7/8	3/8	7/8	3/8	0.074	A4TXV02
	E(U,C,H)1P49C+A4TXV02	A80DF1E110C20	15.10	13.00	38000	30000	1400	7/8	3/8	7/8	3/8	7/8	3/8	0.074	A4TXV02
	E(U,C,H)1P49C+A4TXV02	L83UF1V84/95E14	15.10	12.50	38000	30000	1400	7/8	3/8	7/8	3/8	7/8	3/8	0.074	A4TXV02
	E(U,C,H)1P49C+A4TXV02	L83UF1V112/125F20	15.10	12.50	38000	30000	1400	7/8	3/8	7/8	3/8	7/8	3/8	0.074	A4TXV02
	E(U,C,H)1P49C+A4TXV02	L83B*1V84/95E14	14.50	12.50	38000	30000	1400	7/8	3/8	7/8	3/8	7/8	3/8	0.074	A4TXV02
	E(U,C,H)1P49C+A4TXV02	L83B*1V112/125F20	14.50	12.50	38000	30000	1400	7/8	3/8	7/8	3/8	7/8	3/8	0.074	A4TXV02
	E(U,C,H)1P62C+A4TXV02	EFV16CC	15.50	12.70	38000	30000	1400	7/8	3/8	7/8	3/8	7/8	3/8	0.074	A4TXV02
	E(U,C,H)1P62C+A4TXV02	A97USMV110C20	15.10	12.50	38000	30000	1400	7/8	3/8	7/8	3/8	7/8	3/8	0.074	A4TXV02
	E(U,C,H)1P62C+A4TXV02	A97USMV090C20	16.00	13.00	38000	30000	1400	7/8	3/8	7/8	3/8	7/8	3/8	0.074	A4TXV02
	E(U,C,H)1P62C+A4TXV02	A97USMV090C16	15.10	12.50	38000	30000	1400	7/8	3/8	7/8	3/8	7/8	3/8	0.074	A4TXV02
	E(U,C,H)1P62C+A4TXV02	A97DSMV110C20	15.10	12.50	38000	30000	1420	7/8	3/8	7/8	3/8	7/8	3/8	0.074	A4TXV02
	E(U,C,H)1P62C+A4TXV02	A97DSMV090C20	15.10	12.50	38000	30000	1420	7/8	3/8	7/8	3/8	7/8	3/8	0.074	A4TXV02
	E(U,C,H)1P62C+A4TXV02	A97DSMV090C16	15.10	12.50	38000	30000	1400	7/8	3/8	7/8	3/8	7/8	3/8	0.074	A4TXV02
	E(U,C,H)1P62C+A4TXV02	A95UH2V110C20	15.10	12.50	38000	30000	1400	7/8	3/8	7/8	3/8	7/8	3/8	0.074	A4TXV02
	E(U,C,H)1P62C+A4TXV02	A95UH2V110C16	15.10	12.50	38000	30000	1400	7/8	3/8	7/8	3/8	7/8	3/8	0.074	A4TXV02
	E(U,C,H)1P62C+A4TXV02	A95UH2V090C20	15.10	12.50	38000	30000	1400	7/8	3/8	7/8	3/8	7/8	3/8	0.074	A4TXV02
	E(U,C,H)1P62C+A4TXV02	A95UH2V090C16	16.00	13.00	38000	30000	1400	7/8	3/8	7/8	3/8	7/8	3/8	0.074	A4TXV02
	E(U,C,H)1P62C+A4TXV02	A95UH2E110C20	16.00	13.00	38000	30000	1400	7/8	3/8	7/8	3/8	7/8	3/8	0.074	A4TXV02
	E(U,C,H)1P62C+A4TXV02	A95UH2E090C16	16.00	13.00	38000	30000	1350	7/8	3/8	7/8	3/8	7/8	3/8	0.074	A4TXV02
	E(U,C,H)1P62C+A4TXV02	A95UH1E110C20	15.10	12.50	38000	30000	1400	7/8	3/8	7/8	3/8	7/8	3/8	0.074	A4TXV02
	E(U,C,H)1P62C+A4TXV02	A95UH1E090C16	14.50	12.00	38000	30000	1350	7/8	3/8	7/8	3/8	7/8	3/8	0.074	A4TXV02
	E(U,C,H)1P62C+A4TXV02	A95UH1E090C16	16.00	13.00	38000	30000	1400	7/8	3/8	7/8	3/8	7/8	3/8	0.074	A4TXV02
	E(U,C,H)1P62C+A4TXV02	A95DF2V110C20	15.10	12.50	38000	30000	1420	7/8	3/8	7/8	3/8	7/8	3/8	0.074	A4TXV02
	E(U,C,H)1P62C+A4TXV02	A95DF2V090C20	15.10	12.50	38000	30000	1420	7/8	3/8	7/8	3/8	7/8	3/8	0.074	A4TXV02
	E(U,C,H)1P62C+A4TXV02	A95DF2E110C20	15.10	12.50	38000	30000	1400	7/8	3/8	7/8	3/8	7/8	3/8	0.074	A4TXV02
	E(U,C,H)1P62C+A4TXV02	A95DF2E090C16	15.10	12.50	38000	30000	1350	7/8	3/8	7/8	3/8	7/8	3/8	0.074	A4TXV02

Note:

1 Certified in accordance with Unitary Air Conditioner Certification Program, which is based on AHRI Standard 210/240

2 Required to achieve AHRI rating. If NA (Not Applicable) is in the piston column, then TXV is required.

3 A blower time delay relay is required to achieve AHRI rating. This feature is standard on all Allied Air Enterprises furnace and AH products.

Cooling Performance with Air Handlers and Furnaces 41

Outdoor Model	Indoor Model	Variable Speed Furnace	SEER	EER	Rated ARI Capacity ¹ BTUH	Rated Sensible Capacity BTUH	CFM	Refrigerant Connection				Refrigerant Line Size		Indoor Expansion Device	
	Evaporator Coil or Air Handler ³							Outdoor		Indoor		Suction	Liquid	Piston ²	TXV
								Suction	Liquid	Suction	Liquid				
4SCU14LE141P-4	E(U,C,H)1P62C+A4TXV02	A95DF1E110C20	15.10	12.50	38000	30000	1400	7/8	3/8	7/8	3/8	7/8	3/8	0.074	A4TXV02
	E(U,C,H)1P62C+A4TXV02	A80US2V110C20	15.10	12.50	38000	30000	1400	7/8	3/8	7/8	3/8	7/8	3/8	0.074	A4TXV02
	E(U,C,H)1P62C+A4TXV02	A80US2V090C20	16.00	13.00	38000	30000	1400	7/8	3/8	7/8	3/8	7/8	3/8	0.074	A4TXV02
	E(U,C,H)1P62C+A4TXV02	A80UH1E110C20	15.10	12.50	38000	30000	1400	7/8	3/8	7/8	3/8	7/8	3/8	0.074	A4TXV02
	E(U,C,H)1P62C+A4TXV02	A80UH1E110C20	16.00	13.00	38000	30000	1370	7/8	3/8	7/8	3/8	7/8	3/8	0.074	A4TXV02
	E(U,C,H)1P62C+A4TXV02	A80UH1E090C20	15.60	13.00	38000	30000	1400	7/8	3/8	7/8	3/8	7/8	3/8	0.074	A4TXV02
	E(U,C,H)1P62C+A4TXV02	A80DS2V110C20	15.10	12.50	38000	30000	1400	7/8	3/8	7/8	3/8	7/8	3/8	0.074	A4TXV02
	E(U,C,H)1P62C+A4TXV02	A80DF2V110C20	15.10	12.50	38000	30000	1400	7/8	3/8	7/8	3/8	7/8	3/8	0.074	A4TXV02
	E(U,C,H)1P62C+A4TXV02	A80DF1E110C20	15.10	12.50	38000	30000	1400	7/8	3/8	7/8	3/8	7/8	3/8	0.074	A4TXV02
	E(U,C,H)1P62C+A4TXV02	L83UF1V84/95E14	15.10	12.50	38000	30000	1400	7/8	3/8	7/8	3/8	7/8	3/8	0.074	A4TXV02
	E(U,C,H)1P62C+A4TXV02	L83UF1V112/125F20	14.50	12.50	38000	30000	1400	7/8	3/8	7/8	3/8	7/8	3/8	0.074	A4TXV02
	E(U,C,H)1P62C+A4TXV02	L83B*1V84/95E14	14.50	12.50	38000	30000	1400	7/8	3/8	7/8	3/8	7/8	3/8	0.074	A4TXV02
	E(U,C,H)1P62C+A4TXV02	L83B*1V112/125F20	15.10	12.50	38000	30000	1400	7/8	3/8	7/8	3/8	7/8	3/8	0.074	A4TXV02

Note:

¹ Certified in accordance with Unitary Air Conditioner Certification Program, which is based on AHRI Standard 210/240

² Required to achieve AHRI rating. If NA (Not Applicable) is in the piston column, then TXV is required.

³ A blower time delay relay is required to achieve AHRI rating. This feature is standard on all Allied Air Enterprises furnace and AH products.

Cooling Performance with Air Handlers and Furnaces 42

Outdoor Model	Indoor Model	Variable Speed Furnace	SEER	EER	Rated ARI Capacity ¹ BTUH	Rated Sensible Capacity BTUH	CFM	Refrigerant Connection				Refrigerant Line Size		Indoor Expansion Device		
	Evaporator Coil or Air Handler ³							Outdoor		Indoor		Suction	Liquid	Piston ²	TXV	
								Suction	Liquid	Suction	Liquid					
4SCU14LE142P-4	BCE3M42C****P		14.00	11.50	40000	30000	1400	7/8	3/8	7/8	3/8	7/8	3/8	0.076	A4TXV02	
	BCS2M42S00NA1P		14.00	11.50	40000	30000	1400	7/8	3/8	7/8	3/8	7/8	3/8	0.076	A4TXV02	
	BCS2M42V00NA1P		14.00	11.50	40000	30000	1400	7/8	3/8	7/8	3/8	7/8	3/8	0.076	A4TXV02	
	BCS2M48V00NA1P		15.50	12.50	40000	30000	1400	7/8	3/8	7/8	3/8	7/8	3/8	0.076	A4TXV02	
	BCS2M60V00NA1P		15.00	12.50	40000	30000	1400	7/8	3/8	7/8	3/8	7/8	3/8	0.076	A4TXV02	
	BCE3M42E****X		14.5	12.0	40000	30000	1400	7/8	3/8	7/8	3/8	7/8	3/8	NA	FACTORY INSTALLED A4TXV02	
	E*1P49C	EFV16CC		14.50	12.00	41000	30000	1400	7/8	3/8	7/8	3/8	7/8	3/8	0.076	A4TXV02
	E*1P49C	A97USMV110C20		14.50	12.00	41000	30000	1400	7/8	3/8	7/8	3/8	7/8	3/8	0.076	A4TXV02
	E*1P49C	A97USMV090C20		14.50	12.00	41000	30000	1400	7/8	3/8	7/8	3/8	7/8	3/8	0.076	A4TXV02
	E*1P49C	A97USMV090C16		14.50	12.00	41000	30000	1400	7/8	3/8	7/8	3/8	7/8	3/8	0.076	A4TXV02
	E*1P49C	A97DSMV110C20		14.50	12.00	41000	30000	1420	7/8	3/8	7/8	3/8	7/8	3/8	0.076	A4TXV02
	E*1P49C	A97DSMV090C20		14.50	12.00	41000	30000	1420	7/8	3/8	7/8	3/8	7/8	3/8	0.076	A4TXV02
	E*1P49C	A97DSMV090C16		14.50	12.00	41000	30000	1400	7/8	3/8	7/8	3/8	7/8	3/8	0.076	A4TXV02
	E*1P49C	A95UH2V110C20		14.50	12.00	40000	30000	1400	7/8	3/8	7/8	3/8	7/8	3/8	0.076	A4TXV02
	E*1P49C	A95UH2V110C16		14.50	12.00	40000	30000	1400	7/8	3/8	7/8	3/8	7/8	3/8	0.076	A4TXV02
	E*1P49C	A95UH2V090C20		14.50	12.00	40000	30000	1400	7/8	3/8	7/8	3/8	7/8	3/8	0.076	A4TXV02
	E*1P49C	A95UH2V090C16		14.50	12.00	40000	30000	1400	7/8	3/8	7/8	3/8	7/8	3/8	0.076	A4TXV02
	E*1P49C	A95UH2E110C20		15.00	12.00	40000	30000	1400	7/8	3/8	7/8	3/8	7/8	3/8	0.076	A4TXV02
	E*1P49C	A95UH2E090C16		15.00	12.00	40000	30000	1350	7/8	3/8	7/8	3/8	7/8	3/8	0.076	A4TXV02
	E*1P49C	A95UH1E110C20		14.50	12.00	40000	30000	1400	7/8	3/8	7/8	3/8	7/8	3/8	0.076	A4TXV02
	E*1P49C	A95UH1E090C16		14.50	12.00	40000	30000	1400	7/8	3/8	7/8	3/8	7/8	3/8	0.076	A4TXV02
	E*1P49C	A95DF2V110C20		14.50	12.00	40000	30000	1420	7/8	3/8	7/8	3/8	7/8	3/8	0.076	A4TXV02
	E*1P49C	A95DF2V090C20		14.50	12.00	40000	30000	1420	7/8	3/8	7/8	3/8	7/8	3/8	0.076	A4TXV02
	E*1P49C	A95DF2E110C20		15.00	12.00	40000	30000	1400	7/8	3/8	7/8	3/8	7/8	3/8	0.076	A4TXV02
	E*1P49C	A95DF2E090C16		15.00	12.00	40000	30000	1350	7/8	3/8	7/8	3/8	7/8	3/8	0.076	A4TXV02
	E*1P49C	A95DF1E110C20		14.50	12.00	40000	30000	1400	7/8	3/8	7/8	3/8	7/8	3/8	0.076	A4TXV02
	E*1P49C	A95DF1E090C16		14.50	12.00	40000	30000	1400	7/8	3/8	7/8	3/8	7/8	3/8	0.076	A4TXV02
	E*1P49C	A80US2V110C20		14.50	12.50	40000	30000	1400	7/8	3/8	7/8	3/8	7/8	3/8	0.076	A4TXV02
	E*1P49C	A80US2V090C20		15.10	12.50	40000	30000	1400	7/8	3/8	7/8	3/8	7/8	3/8	0.076	A4TXV02
	E*1P49C	A80UH1E110C20		14.50	12.00	40000	30000	1400	7/8	3/8	7/8	3/8	7/8	3/8	0.076	A4TXV02
E*1P49C	A80UH1E090C20		14.50	12.00	40000	30000	1400	7/8	3/8	7/8	3/8	7/8	3/8	0.076	A4TXV02	

Note:

1 Certified in accordance with Unitary Air Conditioner Certification Program, which is based on AHRI Standard 210/240

2 Required to achieve AHRI rating. If NA (Not Applicable) is in the piston column, then TXV is required.

3 A blower time delay relay is required to achieve AHRI rating. This feature is standard on all Allied Air Enterprises furnace and AH products.

Cooling Performance with Air Handlers and Furnaces 42

Outdoor Model	Indoor Model		Variable Speed Furnace	SEER	EER	Rated ARI Capacity ¹ BTUH	Rated Sensible Capacity BTUH	CFM	Refrigerant Connection				Refrigerant Line Size		Indoor Expansion Device	
	Evaporator Coil or Air Handler ³								Outdoor		Indoor		Suction	Liquid	Piston ²	TXV
									Suction	Liquid	Suction	Liquid				
4SCU14LE142P-4	E*1P49C	A80DS2V110C20	14.50	12.00	40000	30000	1400	7/8	3/8	7/8	3/8	7/8	3/8	0.076	A4TXV02	
	E*1P49C	A80DF2V110C20	14.50	12.00	40000	30000	1400	7/8	3/8	7/8	3/8	7/8	3/8	0.076	A4TXV02	
	E*1P49C	A80DF1E110C20	14.50	12.00	40000	30000	1400	7/8	3/8	7/8	3/8	7/8	3/8	0.076	A4TXV02	
	E*1P49C	L83UF1V84/95E14	15.00	12.00	40000	30000	1400	7/8	3/8	7/8	3/8	7/8	3/8	0.076	A4TXV02	
	E*1P49C	L83B*1V112/125F20	14.50	12.00	40000	30000	1400	7/8	3/8	7/8	3/8	7/8	3/8	0.076	A4TXV02	
	E*1P62C	EFV16CC	14.50	12.00	41000	30000	1400	7/8	3/8	7/8	3/8	7/8	3/8	0.076	A4TXV02	
	E*1P62C	A97USMV110C20	14.50	12.50	41000	30000	1400	7/8	3/8	7/8	3/8	7/8	3/8	0.076	A4TXV02	
	E*1P62C	A97USMV090C20	14.50	12.50	41000	30000	1400	7/8	3/8	7/8	3/8	7/8	3/8	0.076	A4TXV02	
	E*1P62C	A97USMV090C16	14.50	12.50	41000	30000	1400	7/8	3/8	7/8	3/8	7/8	3/8	0.076	A4TXV02	
	E*1P62C	A97DSMV110C20	14.50	12.50	41000	30000	1420	7/8	3/8	7/8	3/8	7/8	3/8	0.076	A4TXV02	
	E*1P62C	A97DSMV090C20	14.50	12.50	41000	30000	1420	7/8	3/8	7/8	3/8	7/8	3/8	0.076	A4TXV02	
	E*1P62C	A97DSMV090C16	14.50	12.50	41000	30000	1400	7/8	3/8	7/8	3/8	7/8	3/8	0.076	A4TXV02	
	E*1P62C	A95UH2V110C20	14.50	12.00	40000	30000	1400	7/8	3/8	7/8	3/8	7/8	3/8	0.076	A4TXV02	
	E*1P62C	A95UH2V110C16	14.50	12.00	40000	30000	1400	7/8	3/8	7/8	3/8	7/8	3/8	0.076	A4TXV02	
	E*1P62C	A95UH2V090C20	14.50	12.00	40000	30000	1400	7/8	3/8	7/8	3/8	7/8	3/8	0.076	A4TXV02	
	E*1P62C	A95UH2V090C16	14.50	12.00	40000	30000	1400	7/8	3/8	7/8	3/8	7/8	3/8	0.076	A4TXV02	
	E*1P62C	A95UH2E110C20	15.10	12.50	40000	30000	1400	7/8	3/8	7/8	3/8	7/8	3/8	0.076	A4TXV02	
	E*1P62C	A95UH2E090C16	15.10	12.50	40000	30000	1350	7/8	3/8	7/8	3/8	7/8	3/8	0.076	A4TXV02	
	E*1P62C	A95UH1E110C20	14.50	12.00	40000	30000	1400	7/8	3/8	7/8	3/8	7/8	3/8	0.076	A4TXV02	
	E*1P62C	A95UH1E090C16	14.50	12.00	40000	30000	1400	7/8	3/8	7/8	3/8	7/8	3/8	0.076	A4TXV02	
	E*1P62C	A95DF2V110C20	14.50	12.00	40000	30000	1420	7/8	3/8	7/8	3/8	7/8	3/8	0.076	A4TXV02	
	E*1P62C	A95DF2V090C20	14.50	12.00	40000	30000	1420	7/8	3/8	7/8	3/8	7/8	3/8	0.076	A4TXV02	
	E*1P62C	A95DF2E110C20	15.10	12.50	40000	30000	1400	7/8	3/8	7/8	3/8	7/8	3/8	0.076	A4TXV02	
	E*1P62C	A95DF2E090C16	15.10	12.50	40000	30000	1350	7/8	3/8	7/8	3/8	7/8	3/8	0.076	A4TXV02	
	E*1P62C	A95DF1E110C20	14.50	12.00	40000	30000	1400	7/8	3/8	7/8	3/8	7/8	3/8	0.076	A4TXV02	
	E*1P62C	A80US2V110C20	14.50	12.00	40000	30000	1400	7/8	3/8	7/8	3/8	7/8	3/8	0.076	A4TXV02	
	E*1P62C	A80US2V090C20	14.50	12.00	40000	30000	1400	7/8	3/8	7/8	3/8	7/8	3/8	0.076	A4TXV02	
	E*1P62C	A80UH1E110C20	14.50	12.00	40000	30000	1400	7/8	3/8	7/8	3/8	7/8	3/8	0.076	A4TXV02	
	E*1P62C	A80UH1E090C20	14.50	12.00	40000	30000	1400	7/8	3/8	7/8	3/8	7/8	3/8	0.076	A4TXV02	
	E*1P62C	A80DS2V110C20	14.50	12.00	40000	30000	1400	7/8	3/8	7/8	3/8	7/8	3/8	0.076	A4TXV02	
	E*1P62C	A80DF2V110C20	14.50	12.00	40000	30000	1400	7/8	3/8	7/8	3/8	7/8	3/8	0.076	A4TXV02	
	E*1P62C	A80DF1E110C20	14.50	12.00	40000	30000	1400	7/8	3/8	7/8	3/8	7/8	3/8	0.076	A4TXV02	
E*1P62C	L83UF1V84/95E14	14.50	12.00	40000	30000	1400	7/8	3/8	7/8	3/8	7/8	3/8	0.076	A4TXV02		
E*1P62C	L83B*1V112/125F20	14.50	12.00	40000	30000	1400	7/8	3/8	7/8	3/8	7/8	3/8	0.076	A4TXV02		

Note:

¹ Certified in accordance with Unitary Air Conditioner Certification Program, which is based on AHRI Standard 210/240

² Required to achieve AHRI rating. If NA (Not Applicable) is in the piston column, then TXV is required.

³ A blower time delay relay is required to achieve AHRI rating. This feature is standard on all Allied Air Enterprises furnace and AH products.

Cooling Performance with Air Handlers and Furnaces 47

Outdoor Model	Indoor Model	Variable Speed Furnace	SEER	EER	Rated ARI Capacity ¹ BTUH	Rated Sensible Capacity BTUH	CFM	Refrigerant Connection				Refrigerant Line Size		Indoor Expansion Device		
	Evaporator Coil or Air Handler ³							Outdoor		Indoor		Suction	Liquid	Piston ²	TXV	
								Suction	Liquid	Suction	Liquid					
4SCU14LE147P-4	BCE3M48C****P+H4TXV02		15.00	12.50	46500	34800	1600	7/8	3/8	7/8	3/8	7/8	3/8	0.080	A4TXV02	
	BCS2M48S00NA1P+A4TXV02		16.00	13.00	47000	34800	1600	7/8	3/8	7/8	3/8	7/8	3/8	0.080	A4TXV02	
	BCS2M48V00NA1P+A4TXV02		16.00	13.00	47000	34800	1600	7/8	3/8	7/8	3/8	7/8	3/8	0.080	A4TXV02	
	BCE3M48E****X		16.0	13.0	46500	34800	1600	7/8	3/8	7/8	3/8	7/8	3/8	NA	FACTORY INSTALLED A4TXV02	
	E(U,C,H)1P49C+A4TXV02	EFV16CC		15.10	12.50	47000	34800	1600	7/8	3/8	7/8	3/8	7/8	3/8	0.080	A4TXV02
	E(U,C,H)1P49C+A4TXV02	A97USMV110C20		16.00	13.00	47000	34800	1600	7/8	3/8	7/8	3/8	7/8	3/8	0.080	A4TXV02
	E(U,C,H)1P49C+A4TXV02	A97USMV090C20		15.10	12.50	47000	34800	1600	7/8	3/8	7/8	3/8	7/8	3/8	0.080	A4TXV02
	E(U,C,H)1P49C+A4TXV02	A97USMV090C16		15.10	12.50	47000	34800	1600	7/8	3/8	7/8	3/8	7/8	3/8	0.080	A4TXV02
	E(U,C,H)1P49C+A4TXV02	A97DSMV110C20		15.10	12.50	47000	34800	1600	7/8	3/8	7/8	3/8	7/8	3/8	0.080	A4TXV02
	E(U,C,H)1P49C+A4TXV02	A97DSMV090C20		15.10	12.50	47000	34800	1600	7/8	3/8	7/8	3/8	7/8	3/8	0.080	A4TXV02
	E(U,C,H)1P49C+A4TXV02	A97DSMV090C16		15.10	12.50	47000	34800	1600	7/8	3/8	7/8	3/8	7/8	3/8	0.080	A4TXV02
	E(U,C,H)1P49C+A4TXV02	A95UH2V110C20		15.10	12.50	47000	34800	1600	7/8	3/8	7/8	3/8	7/8	3/8	0.080	A4TXV02
	E(U,C,H)1P49C+A4TXV02	A95UH2V110C16		16.00	12.50	47000	34800	1600	7/8	3/8	7/8	3/8	7/8	3/8	0.080	A4TXV02
	E(U,C,H)1P49C+A4TXV02	A95UH2V090C20		15.10	12.50	47000	34800	1600	7/8	3/8	7/8	3/8	7/8	3/8	0.080	A4TXV02
	E(U,C,H)1P49C+A4TXV02	A95UH2V090C16		15.10	12.50	47000	34800	1600	7/8	3/8	7/8	3/8	7/8	3/8	0.080	A4TXV02
	E(U,C,H)1P49C+A4TXV02	A95UH2E110C20		14.50	12.00	47000	34800	1600	7/8	3/8	7/8	3/8	7/8	3/8	0.080	A4TXV02
	E(U,C,H)1P49C+A4TXV02	A95UH2E090C16		15.10	12.50	47000	34800	1600	7/8	3/8	7/8	3/8	7/8	3/8	0.080	A4TXV02
	E(U,C,H)1P49C+A4TXV02	A95UH1E110C20		16.00	13.00	47000	34800	1550	7/8	3/8	7/8	3/8	7/8	3/8	0.080	A4TXV02
	E(U,C,H)1P49C+A4TXV02	A95DF2V110C20		15.10	12.50	47000	34800	1600	7/8	3/8	7/8	3/8	7/8	3/8	0.080	A4TXV02
	E(U,C,H)1P49C+A4TXV02	A95DF2V090C20		15.10	12.50	47000	34800	1600	7/8	3/8	7/8	3/8	7/8	3/8	0.080	A4TXV02
	E(U,C,H)1P49C+A4TXV02	A95DF2E110C20		14.50	12.00	47000	34800	1600	7/8	3/8	7/8	3/8	7/8	3/8	0.080	A4TXV02
	E(U,C,H)1P49C+A4TXV02	A95DF2E090C16		15.10	12.50	47000	34800	1600	7/8	3/8	7/8	3/8	7/8	3/8	0.080	A4TXV02
	E(U,C,H)1P49C+A4TXV02	A95DF1E110C20		16.00	13.00	47000	34800	1600	7/8	3/8	7/8	3/8	7/8	3/8	0.080	A4TXV02
	E(U,C,H)1P49C+A4TXV02	A80US2V110C20		16.00	13.00	47000	34800	1600	7/8	3/8	7/8	3/8	7/8	3/8	0.080	A4TXV02
	E(U,C,H)1P49C+A4TXV02	A80US2V090C20		16.00	13.00	47000	34800	1600	7/8	3/8	7/8	3/8	7/8	3/8	0.080	A4TXV02
	E(U,C,H)1P49C+A4TXV02	A80UH1E090C20		16.00	13.00	47000	34800	1550	7/8	3/8	7/8	3/8	7/8	3/8	0.080	A4TXV02
	E(U,C,H)1P49C+A4TXV02	A80DS2V110C20		16.00	13.00	47000	34800	1600	7/8	3/8	7/8	3/8	7/8	3/8	0.080	A4TXV02
	E(U,C,H)1P49C+A4TXV02	A80DF1E110C20		16.00	13.00	47000	34800	1600	7/8	3/8	7/8	3/8	7/8	3/8	0.080	A4TXV02
	E(U,C,H)1P49C+A4TXV02	L83B*1V112/125F20		14.50	12.00	47000	34800	1600	7/8	3/8	7/8	3/8	7/8	3/8	0.080	A4TXV02
	E(U,C,H)1P62C+A4TXV02	EFV16CC		15.50	12.50	47000	34800	1600	7/8	3/8	7/8	3/8	7/8	3/8	0.080	A4TXV02
E(U,C,H)1P62C+A4TXV02	A97USMV110C20		16.00	13.00	47000	34800	1600	7/8	3/8	7/8	3/8	7/8	3/8	0.080	A4TXV02	

Note:

¹ Certified in accordance with Unitary Air Conditioner Certification Program, which is based on AHRI Standard 210/240

² Required to achieve AHRI rating. If NA (Not Applicable) is in the piston column, then TXV is required.

³ A blower time delay relay is required to achieve AHRI rating. This feature is standard on all Allied Air Enterprises furnace and AH products.

Cooling Performance with Air Handlers and Furnaces 47

Outdoor Model	Indoor Model	Variable Speed Furnace	SEER	EER	Rated ARI Capacity ¹ BTUH	Rated Sensible Capacity BTUH	CFM	Refrigerant Connection				Refrigerant Line Size		Indoor Expansion Device	
	Evaporator Coil or Air Handler ³							Outdoor		Indoor		Suction	Liquid	Piston ²	TXV
								Suction	Liquid	Suction	Liquid				
4SCU14LE147P-4	E(U,C,H)1P62C+A4TXV02	A97USMV090C20	15.10	12.50	47000	34800	1600	7/8	3/8	7/8	3/8	7/8	3/8	0.080	A4TXV02
	E(U,C,H)1P62C+A4TXV02	A97USMV090C16	15.10	12.50	47000	34800	1600	7/8	3/8	7/8	3/8	7/8	3/8	0.080	A4TXV02
	E(U,C,H)1P62C+A4TXV02	A97DSMV110C20	15.10	12.50	47000	34800	1600	7/8	3/8	7/8	3/8	7/8	3/8	0.080	A4TXV02
	E(U,C,H)1P62C+A4TXV02	A97DSMV090C20	15.10	12.50	47000	34800	1600	7/8	3/8	7/8	3/8	7/8	3/8	0.080	A4TXV02
	E(U,C,H)1P62C+A4TXV02	A97DSMV090C16	15.10	12.50	47000	34800	1600	7/8	3/8	7/8	3/8	7/8	3/8	0.080	A4TXV02
	E(U,C,H)1P62C+A4TXV02	A95UH2V110C20	15.10	12.50	47000	34800	1600	7/8	3/8	7/8	3/8	7/8	3/8	0.080	A4TXV02
	E(U,C,H)1P62C+A4TXV02	A95UH2V110C16	16.00	13.00	47000	34800	1600	7/8	3/8	7/8	3/8	7/8	3/8	0.080	A4TXV02
	E(U,C,H)1P62C+A4TXV02	A95UH2V090C20	15.10	12.50	47000	34800	1600	7/8	3/8	7/8	3/8	7/8	3/8	0.080	A4TXV02
	E(U,C,H)1P62C+A4TXV02	A95UH2V090C16	15.10	12.50	47000	34800	1600	7/8	3/8	7/8	3/8	7/8	3/8	0.080	A4TXV02
	E(U,C,H)1P62C+A4TXV02	A95UH2E110C20	14.50	12.00	47000	34800	1600	7/8	3/8	7/8	3/8	7/8	3/8	0.080	A4TXV02
	E(U,C,H)1P62C+A4TXV02	A95UH2E090C16	15.10	12.50	47000	34800	1600	7/8	3/8	7/8	3/8	7/8	3/8	0.080	A4TXV02
	E(U,C,H)1P62C+A4TXV02	A95UH1E110C20	16.00	13.00	47000	34800	1550	7/8	3/8	7/8	3/8	7/8	3/8	0.080	A4TXV02
	E(U,C,H)1P62C+A4TXV02	A95DF2V110C20	15.10	12.50	47000	34800	1600	7/8	3/8	7/8	3/8	7/8	3/8	0.080	A4TXV02
	E(U,C,H)1P62C+A4TXV02	A95DF2V090C20	15.10	12.50	47000	34800	1600	7/8	3/8	7/8	3/8	7/8	3/8	0.080	A4TXV02
	E(U,C,H)1P62C+A4TXV02	A95DF2E110C20	14.50	12.00	47000	34800	1600	7/8	3/8	7/8	3/8	7/8	3/8	0.080	A4TXV02
	E(U,C,H)1P62C+A4TXV02	A95DF2E090C16	15.10	12.50	47000	34800	1600	7/8	3/8	7/8	3/8	7/8	3/8	0.080	A4TXV02
	E(U,C,H)1P62C+A4TXV02	A95DF1E110C20	16.00	13.00	47000	34800	1600	7/8	3/8	7/8	3/8	7/8	3/8	0.080	A4TXV02
	E(U,C,H)1P62C+A4TXV02	A80US2V110C20	16.00	13.00	47000	34800	1600	7/8	3/8	7/8	3/8	7/8	3/8	0.080	A4TXV02
	E(U,C,H)1P62C+A4TXV02	A80US2V090C20	16.00	13.00	47000	34800	1600	7/8	3/8	7/8	3/8	7/8	3/8	0.080	A4TXV02
	E(U,C,H)1P62C+A4TXV02	A80UH1E090C20	16.00	13.00	47000	34800	1550	7/8	3/8	7/8	3/8	7/8	3/8	0.080	A4TXV02
	E(U,C,H)1P62C+A4TXV02	A80UH1E090C20	16.00	13.00	47000	34800	1550	7/8	3/8	7/8	3/8	7/8	3/8	0.080	A4TXV02
	E(U,C,H)1P62C+A4TXV02	A80DS2V110C20	16.00	13.00	47000	34800	1600	7/8	3/8	7/8	3/8	7/8	3/8	0.080	A4TXV02
	E(U,C,H)1P62C+A4TXV02	A80DF1E110C20	16.00	13.00	47000	34800	1600	7/8	3/8	7/8	3/8	7/8	3/8	0.080	A4TXV02
	E(U,C,H)1P62C+A4TXV02	L83B*1V112/125F20	14.50	12.00	47000	34800	1600	7/8	3/8	7/8	3/8	7/8	3/8	0.080	A4TXV02
	E(U,C)1P62D+A4TXV02	EFV20DC	15.10	12.50	47000	34800	1600	7/8	3/8	7/8	3/8	7/8	3/8	0.080	A4TXV02
	E(U,C)1P62D+A4TXV02	A97USMV135D20	15.10	12.50	47000	34800	1600	7/8	3/8	7/8	3/8	7/8	3/8	0.080	A4TXV02
	E(U,C)1P62D+A4TXV02	A95UH2V135D20	15.10	12.50	47000	34800	1600	7/8	3/8	7/8	3/8	7/8	3/8	0.080	A4TXV02
	E(U,C)1P62D+A4TXV02	A95UH2E135D20	15.10	12.50	47000	34800	1600	7/8	3/8	7/8	3/8	7/8	3/8	0.080	A4TXV02
	E(U,C)1P62D+A4TXV02	A95UH1E135D20	15.10	12.50	47000	34800	1600	7/8	3/8	7/8	3/8	7/8	3/8	0.080	A4TXV02
	E(U,C)1P62D+A4TXV02	A80US2V135D20	15.10	12.50	47000	34800	1600	7/8	3/8	7/8	3/8	7/8	3/8	0.080	A4TXV02
	E(U,C)1P62D+A4TXV02	A80UH1E135D20	15.10	12.50	47000	34800	1600	7/8	3/8	7/8	3/8	7/8	3/8	0.080	A4TXV02

Note:

1 Certified in accordance with Unitary Air Conditioner Certification Program, which is based on AHRI Standard 210/240

2 Required to achieve AHRI rating. If NA (Not Applicable) is in the piston column, then TXV is required.

3 A blower time delay relay is required to achieve AHRI rating. This feature is standard on all Allied Air Enterprises furnace and AH products.

Cooling Performance with Air Handlers and Furnaces 48

Outdoor Model	Indoor Model	Variable Speed Furnace	SEER	EER	Rated ARI Capacity ¹ BTUH	Rated Sensible Capacity BTUH	CFM	Refrigerant Connection				Refrigerant Line Size		Indoor Expansion Device		
	Evaporator Coil or Air Handler ³							Outdoor		Indoor		Suction	Liquid	Piston ²	TXV	
								Suction	Liquid	Suction	Liquid					
4SCU14LE148P-4	BCE3M48C****P		14.00	12.00	46500	35300	1600	7/8	3/8	7/8	3/8	7/8	3/8	0.083	A4TXV02	
	BCS2M48S00NA1P		15.10	12.50	46500	35300	1600	7/8	3/8	7/8	3/8	7/8	3/8	0.083	A4TXV02	
	BCS2M48V00NA1P		15.10	12.50	46500	35300	1600	7/8	3/8	7/8	3/8	7/8	3/8	0.083	A4TXV02	
	BCS2M60V00NA1P		15.00	12.50	47000	35300	1600	7/8	3/8	7/8	3/8	7/8	3/8	0.083	A4TXV02	
	BCE3M48E****X		15.1	12.5	46500	35300	1600	7/8	3/8	7/8	3/8	7/8	3/8	NA	FACTORY INSTALLED A4TXV02	
	E*1P49C	A97USMV110C20		14.50	12.00	46500	35300	1600	7/8	3/8	7/8	3/8	7/8	3/8	0.083	A4TXV02
	E*1P49C	A97USMV110C20		14.50	12.00	46500	35300	1600	7/8	3/8	7/8	3/8	7/8	3/8	0.083	A4TXV02
	E*1P49C	A97DSMV110C20		14.50	12.00	46000	35300	1600	7/8	3/8	7/8	3/8	7/8	3/8	0.083	A4TXV02
	E*1P49C	A95UH2V110C16		14.50	11.50	46000	35300	1600	7/8	3/8	7/8	3/8	7/8	3/8	0.083	A4TXV02
	E*1P49C	A95UH2E090C16		14.50	11.50	46000	35300	1600	7/8	3/8	7/8	3/8	7/8	3/8	0.083	A4TXV02
	E*1P49C	A95DF2E090C16		14.50	11.50	46000	35300	1600	7/8	3/8	7/8	3/8	7/8	3/8	0.083	A4TXV02
	E*1P49C	A80US2V110C20		14.50	12.00	46500	35300	1600	7/8	3/8	7/8	3/8	7/8	3/8	0.083	A4TXV02
	E*1P49C	A80US2V090C20		14.50	12.00	46500	35300	1600	7/8	3/8	7/8	3/8	7/8	3/8	0.083	A4TXV02
	E*1P49C	A80DS2V110C20		14.50	12.00	46500	35300	1600	7/8	3/8	7/8	3/8	7/8	3/8	0.083	A4TXV02
	E*1P49C	A80DF2V110C20		14.50	12.00	46500	35300	1600	7/8	3/8	7/8	3/8	7/8	3/8	0.083	A4TXV02
	E*1P49C	L85B*1V104/118F20		14.00	12.00	46000	35300	1600	7/8	3/8	7/8	3/8	7/8	3/8	0.083	A4TXV02
	E*1P62C	A97USMV110C20		14.50	12.00	46500	35300	1600	7/8	3/8	7/8	3/8	7/8	3/8	0.083	A4TXV02
	E*1P62C	A97USMV110C20		14.50	12.00	46500	35300	1600	7/8	3/8	7/8	3/8	7/8	3/8	0.083	A4TXV02
	E*1P62C	A95UH2V110C16		14.50	11.50	46000	35300	1600	7/8	3/8	7/8	3/8	7/8	3/8	0.083	A4TXV02
	E*1P62C	A95UH2E090C16		14.50	11.50	46500	35300	1600	7/8	3/8	7/8	3/8	7/8	3/8	0.083	A4TXV02
	E*1P62C	A95DF2E090C16		14.50	11.50	46500	35300	1600	7/8	3/8	7/8	3/8	7/8	3/8	0.083	A4TXV02
	E*1P62C	A80US2V110C20		14.50	12.00	46500	35300	1600	7/8	3/8	7/8	3/8	7/8	3/8	0.083	A4TXV02
	E*1P62C	A80US2V090C20		14.50	12.00	46500	35300	1600	7/8	3/8	7/8	3/8	7/8	3/8	0.083	A4TXV02
	E*1P62C	A80DS2V110C20		14.50	12.00	46500	35300	1600	7/8	3/8	7/8	3/8	7/8	3/8	0.083	A4TXV02
	E*1P62C	A80DF2V110C20		14.50	12.00	46500	35300	1600	7/8	3/8	7/8	3/8	7/8	3/8	0.083	A4TXV02
	E*1P62D	A97USMV135D20		14.50	12.00	46500	35300	1600	7/8	3/8	7/8	3/8	7/8	3/8	0.083	A4TXV02
	E*1P60D	A97USMV135D20		14.50	12.00	46000	35300	1600	7/8	3/8	7/8	3/8	7/8	3/8	0.083	A4TXV02
	E*1P62D	A95UH2V135D20		14.50	12.00	46500	35300	1600	7/8	3/8	7/8	3/8	7/8	3/8	0.083	A4TXV02
	E*1P60D	A95UH2V135D20		14.50	12.00	46000	35300	1600	7/8	3/8	7/8	3/8	7/8	3/8	0.083	A4TXV02
	E*1P62D	A80US2V135D20		14.50	12.00	46500	35300	1600	7/8	3/8	7/8	3/8	7/8	3/8	0.083	A4TXV02
	E*1P60D	A80US2V135D20		14.50	12.00	46000	35300	1600	7/8	3/8	7/8	3/8	7/8	3/8	0.083	A4TXV02
	E*1P62D	A80UH1E135D20		14.50	12.00	46500	35300	1600	7/8	3/8	7/8	3/8	7/8	3/8	0.083	A4TXV02
E*1P60D	A80UH1E135D20		14.50	12.00	46000	35300	1600	7/8	3/8	7/8	3/8	7/8	3/8	0.083	A4TXV02	
E*1P62D	L83B*1V112/125F20		14.50	12.00	46500	35300	1600	7/8	3/8	7/8	3/8	7/8	3/8	0.083	A4TXV02	

Note:

1 Certified in accordance with Unitary Air Conditioner Certification Program, which is based on AHRI Standard 210/240

2 Required to achieve AHRI rating. If NA (Not Applicable) is in the piston column, then TXV is required.

3 A blower time delay relay is required to achieve AHRI rating. This feature is standard on all Allied Air Enterprises furnace and AH products.

Cooling Performance with Air Handlers and Furnaces 59, 60

Outdoor Model	Indoor Model	Variable Speed Furnace	SEER	EER	Rated ARI Capacity ¹ BTUH	Rated Sensible Capacity BTUH	CFM	Refrigerant Connection				Refrigerant Line Size		Indoor Expansion Device	
	Evaporator Coil or Air Handler ³							Outdoor		Indoor		Suction	Liquid	Piston ²	TXV
								Suction	Liquid	Suction	Liquid				
4SCU14LE159P-4	BCE3M48C****P		14.00	12.50	57000	41000	1800	7/8	3/8	7/8	3/8	1 1/8	3/8	0.093	A4TXV02
	BCE3M60C****P		14.00	12.50	57000	41000	1800	7/8	3/8	7/8	3/8	1 1/8	3/8	0.093	A4TXV02
	BCS2M48V++++P		15.10	12.50	57000	41000	1800	7/8	3/8	7/8	3/8	1 1/8	3/8	0.093	A4TXV02
	BCS2M60V++++P		14.50	12.00	57000	41000	1800	7/8	3/8	7/8	3/8	1 1/8	3/8	0.093	A4TXV02
	BCE3M60E****X		14.5	12.0	57000	41000	1800	7/8	3/8	7/8	3/8	1 1/8	3/8	NA	FACTORY INSTALLED A4TXV02
	E*1P62C	A97USMV110C20	14.50	12.50	57000	41000	1770	7/8	3/8	7/8	3/8	1 1/8	3/8	0.093	A4TXV02
	E*1P62C	A95UH2V110C20	14.50	12.50	57000	41000	1770	7/8	3/8	7/8	3/8	1 1/8	3/8	0.093	A4TXV02
	E*1P62C	A95UH2V110C16	14.50	12.50	57000	41000	1760	7/8	3/8	7/8	3/8	1 1/8	3/8	0.093	A4TXV02
	E*1P62C	A95UH1E110C20	15.20	12.60	57000	41000	1740	7/8	3/8	7/8	3/8	1 1/8	3/8	0.093	A4TXV02
	E*1P62C	A80US2V090C20	14.50	12.50	57000	41000	1800	7/8	3/8	7/8	3/8	1 1/8	3/8	0.093	A4TXV02
	E*1P62C	A80UH1E110C20	14.50	12.50	57000	41000	1800	7/8	3/8	7/8	3/8	1 1/8	3/8	0.093	A4TXV02
	E*1P62C	A80UH1E090C20	15.20	12.60	57000	41000	1790	7/8	3/8	7/8	3/8	1 1/8	3/8	0.093	A4TXV02
	E*1P62C	A80DF1E110C20	15.10	12.50	57000	41000	1870	7/8	3/8	7/8	3/8	1 1/8	3/8	0.093	A4TXV02
	E*1P62D	A97USMV135D20	14.50	12.50	57000	41000	1800	7/8	3/8	7/8	3/8	1 1/8	3/8	0.093	A4TXV02
	E*1P62D	A95UH2V135D20	14.50	12.50	57000	41000	1800	7/8	3/8	7/8	3/8	1 1/8	3/8	0.093	A4TXV02
E*1P62D	A80UH1E135C20	15.10	12.50	57000	41000	1800	7/8	3/8	7/8	3/8	1 1/8	3/8	0.093	A4TXV02	
4SCU14LE160P-4	BCE3M60C****P		14.00	12.00	58000	41800	1800	1 1/8	3/8	7/8	3/8	1 1/8	3/8	0.093	A4TXV02
	BCS2M60S00NA1P		14.00	12.00	58000	41800	1800	1 1/8	3/8	7/8	3/8	1 1/8	3/8	0.093	A4TXV02
	BCS2M60V00NA1P		14.00	12.00	58000	41800	1800	1 1/8	3/8	7/8	3/8	1 1/8	3/8	0.093	A4TXV02
	BCE3M60E****X		14.5	12.0	58000	41800	1800	1 1/8	3/8	7/8	3/8	1 1/8	3/8	NA	FACTORY INSTALLED A4TXV02

Note:

1 Certified in accordance with Unitary Air Conditioner Certification Program, which is based on AHRI Standard 210/240

2 Required to achieve AHRI rating. If NA (Not Applicable) is in the piston column, then TXV is required.

3 A blower time delay relay is required to achieve AHRI rating. This feature is standard on all Allied Air Enterprises furnace and AH products.

Cooling Performance — Extended Ratings

Outdoor Model	Indoor Model Piston or Field Installed TXV	Indoor Temp DB/WB °F	Outdoor Temp - DB°F														
			65°			82°			95°			105°			115°		
			Btuh	S/T	kW	Btuh	S/T	kW	Btuh	S/T	kW	Btuh	S/T	kW	Btuh	S/T	kW
4SCU14LE118P-4	E*1P23	85/72	20,500	0.65	1.44	19,700	0.69	1.59	19,100	0.72	1.71	17,900	0.74	1.13	16,700	0.75	1.42
		80/67	19,300	0.67	1.39	18,600	0.71	1.74	18,000	0.74	1.65	16,400	0.85	1.39	14,800	0.95	1.30
		75/63	17,900	0.72	1.35	17,200	0.76	1.49	16,700	0.79	1.59	15,600	0.81	1.05	14,600	0.83	1.28
		75/57	17,300	0.81	1.32	16,700	0.85	1.46	16,200	0.88	1.56	15,200	0.91	1.03	14,300	0.93	1.26
4SCU14LE124P-4	E*1P29	85/72	29,300	0.61	1.59	28,620	0.63	1.88	28,100	0.64	2.10	26,450	0.67	2.32	24,800	0.70	2.53
		80/67	27,600	0.68	1.58	26,127	0.71	1.87	25,000	0.74	2.10	23,400	0.77	2.31	21,800	0.80	2.52
		75/63	26,200	0.72	1.58	24,557	0.75	1.87	23,300	0.77	2.10	21,550	0.80	2.30	19,800	0.82	2.50
		75/57	23,800	1.00	1.54	22,383	1.00	1.80	21,300	1.00	2.00	19,550	1.00	2.23	17,800	1.00	2.46
4SCU14LE130P-4	E*1P29	85/72	32,000	0.68	2.05	30,800	0.72	2.27	29,800	0.75	2.43	28,100	0.77	2.51	26,200	0.78	2.51
		80/67	30,200	0.70	1.98	29,000	0.74	2.03	28,000	0.77	2.34	26,400	0.79	2.42	24,700	0.81	2.42
		75/63	27,900	0.75	1.91	26,900	0.79	2.10	26,000	0.82	2.25	24,500	0.84	2.33	22,900	0.86	2.32
		75/57	27,200	0.84	1.88	26,200	0.89	2.07	25,300	0.92	2.21	23,800	0.94	2.29	22,200	0.96	2.29
4SCU14LE136P-4	E*1P36B	85/72	38,900	0.65	2.54	37,300	0.68	2.81	36,100	0.71	3.02	33,900	0.73	3.13	31,800	0.74	3.14
		80/67	36,500	0.67	2.45	35,100	0.70	2.71	34,000	0.73	2.91	31,900	0.75	3.01	29,900	0.76	3.01
		75/63	33,800	0.71	2.36	32,500	0.75	2.61	31,500	0.78	2.80	29,600	0.80	2.90	27,700	0.82	2.90
		75/57	32,900	0.79	2.32	31,600	0.84	2.56	30,600	0.87	2.75	28,700	0.89	2.84	26,900	0.91	2.84
4SCU14LE141P-4	E*1P49C	85/72	46,000	0.75	1.71	43,733	0.77	2.02	42,000	0.79	2.26	39,700	0.82	2.59	37,400	0.84	2.91
		80/67	45,000	0.76	1.70	42,167	0.79	2.01	40,000	0.81	2.25	37,800	0.84	2.58	35,600	0.87	2.90
		75/63	42,500	0.77	1.69	40,233	0.80	2.00	38,500	0.83	2.24	36,650	0.86	2.57	34,800	0.89	2.89
		75/57	40,000	0.79	1.68	38,017	0.82	1.99	36,500	0.84	2.23	35,000	0.88	2.50	33,500	0.91	2.77
4SCU14LE142P-4	E*1P49C	85/72	46,900	0.65	3.13	45,000	0.69	3.12	43,600	0.72	3.10	40,900	0.74	3.54	38,400	0.75	3.81
		80/67	44,100	0.67	3.02	42,400	0.71	3.29	41,000	0.74	3.49	38,500	0.76	3.66	36,100	0.77	3.66
		75/63	40,900	0.72	2.92	39,300	0.76	3.22	38,100	0.79	3.45	35,700	0.81	3.57	33,400	0.83	3.52
		75/57	39,700	0.81	2.87	38,200	0.85	3.16	37,000	0.88	3.39	34,700	0.91	3.50	32,500	0.93	3.45
4SCU14LE147P-4	E*1P62C	85/72	54,000	0.81	2.10	52,583	0.79	2.56	51,500	0.77	2.91	48,750	0.72	3.33	46,000	0.66	3.75
		80/67	53,000	0.82	2.00	50,733	0.80	2.51	49,000	0.79	2.90	46,500	0.81	3.33	44,000	0.83	3.75
		75/63	50,500	0.83	1.99	48,233	0.82	2.50	46,500	0.81	2.89	44,250	0.87	3.30	42,000	0.92	3.71
		75/57	47,000	0.85	1.98	44,733	0.84	2.49	43,000	0.83	2.88	41,500	0.90	3.29	40,000	0.97	3.70
4SCU14LE148P-4	E*1P62C	85/72	56,600	0.63	2.99	54,107	0.66	55.36	52,200	0.68	3.88	49,050	0.70	4.29	45,900	0.72	4.70
		80/67	53,100	0.70	2.97	50,607	0.73	3.47	48,700	0.75	3.85	44,500	0.79	4.26	40,300	0.83	4.66
		75/63	50,600	0.72	2.94	46,633	0.76	3.44	43,600	0.79	3.82	39,500	0.84	4.24	35,400	0.88	4.66
		75/57	46,000	1.00	2.92	42,373	1.00	3.43	39,600	1.00	3.82	35,950	1.00	4.24	32,300	1.00	4.65
4SCU14LE159P-4	E*1P62C	85/72	61,200	0.63	3.50	60,633	0.64	4.24	60,200	0.65	4.80	58,350	0.68	5.39	56,500	0.70	5.97
		80/67	59,500	0.69	3.50	58,933	0.71	4.21	58,500	0.72	4.75	54,600	0.75	5.34	50,700	0.78	5.93
		75/63	57,800	0.72	3.48	55,760	0.74	4.18	54,200	0.76	4.72	49,850	0.79	5.33	45,500	0.82	5.93
		75/57	53,500	1.00	3.44	51,120	1.00	4.15	49,300	1.00	4.70	44,700	0.92	5.31	40,100	0.83	5.91
4SCU14LE160P-4	E*1P62C	85/72	66,300	0.64	4.41	63,600	0.67	4.89	61,600	0.70	5.27	57,900	0.72	5.46	54,200	0.73	5.42
		80/67	62,400	0.66	4.25	59,900	0.71	4.69	58,000	0.74	5.03	54,600	0.75	5.24	51,100	0.75	5.23
		75/63	57,800	0.70	4.03	55,500	0.74	4.50	53,700	0.77	4.87	50,600	0.79	5.06	47,300	0.81	5.04
		75/57	56,200	0.78	4.02	53,900	0.83	4.45	52,200	0.86	4.78	49,100	0.88	4.96	46,000	0.90	4.94

Note: Extended data shown is actual for models listed and typical for all AHRI matches.

Accessories

Description	Where Used	Catalog Number
Crankcase Heater	All models	93M04
Hard Start Kit	18	10J42
	24, 30, 36, 41, 42, 47, 48, 59, 60	88M91
Low Ambient Kit	All models	34M72
Short Cycle Protector	All models	47J27
Freezestat	3/8 tubing	93G35
	5/8 tubing	50A93
Time Delay Relay	All models	58M81
Loss of Charge Kit	All models	84M23 (factory installed)
Sound Blanket	18, 24, 30, 36, 41	14W00
	42, 47, 48, 59, 60	14W01



1-800-448-5872

All specifications and illustrations subject to change without notice and without incurring obligations.